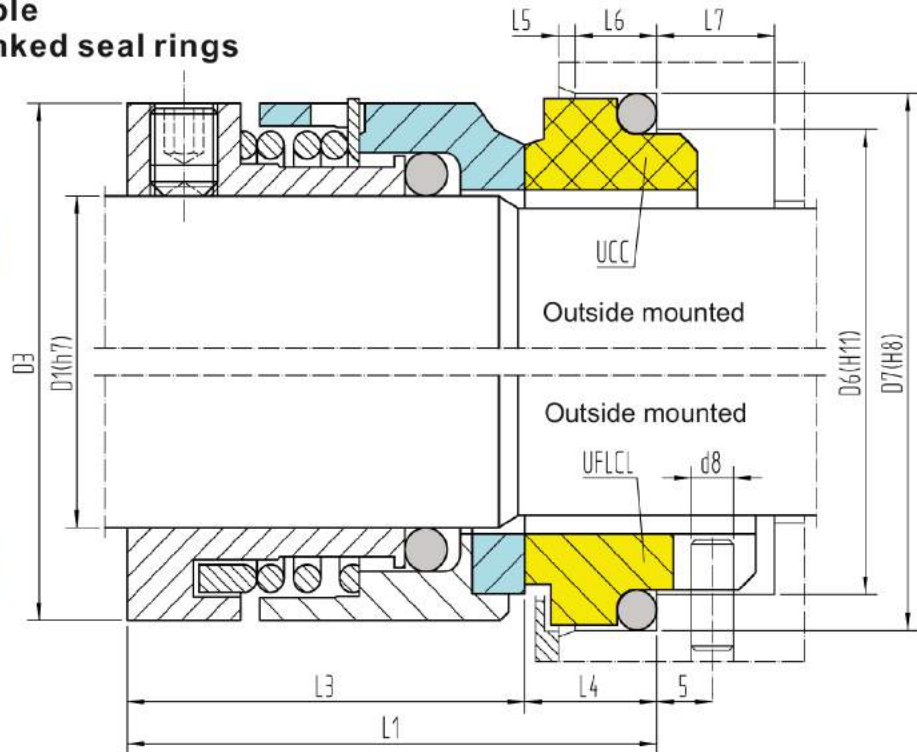


Outside mounted universal seal
Counterpressure possible
Massive, brazed or shrunk seal rings



Optional as 7R with stationary
 RCC or RCL available.

Materials:

Rotary: E, F, G, Q, U, V

Stationary: A, B, Q, U, Y

Rubber parts: P, E, V, K, M

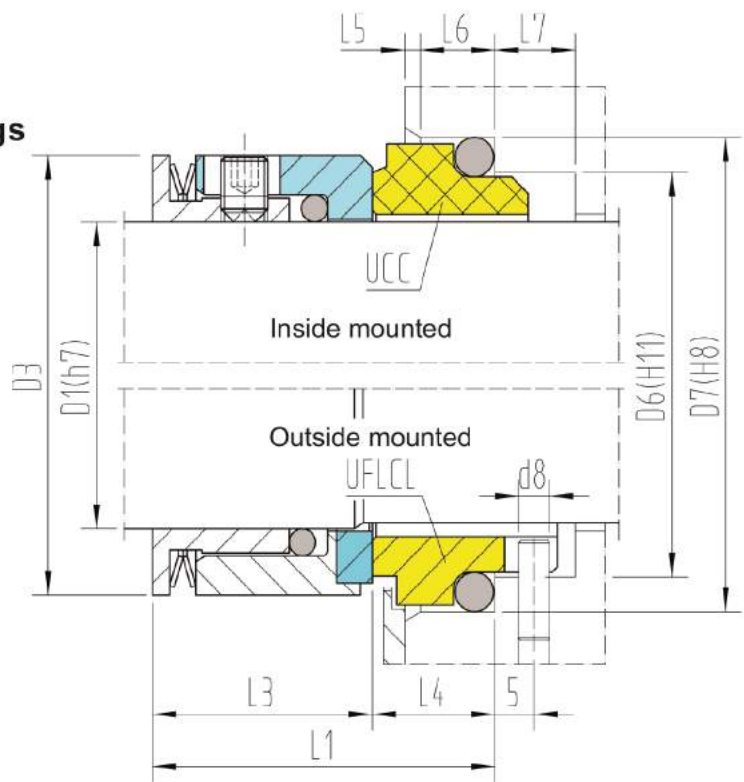
Operating limits:

(look at working conditions page 112)

7	
$p \leq$	12 bar (16bar)
$t =$	$-35 \div 140^\circ\text{C}$ (180°C)
$v \leq$	15 m/s

EN 12756 (DIN 24960)										
									UCC	UFLCL
D1	D6	D7	D3	L1	L3	L4	L6	L5	D8	L7
10	17	21	22	29	22	7	4	1.5	3	8.5
12	19	23	24	31	24	7	4	1.5	3	8.5
14	21	25	27	33	26	7	4	1.5	3	8.5
16	23	27	31	34	27	7	4	1.5	3	8.5
18	27	33	33	38	28	10	5	2	3	9
20	29	35	37	41	31	10	5	2	3	9
22	31	37	39	41	31	10	5	2	3	9
24	33	39	42	44	34	10	5	2	3	9
25	34	40	43	45	35	10	5	2	3	9
28	37	43	47	47	37	10	5	2	3	9
30	39	45	50	49	39	10	5	2	3	9
32	42	48	52	49	39	10	5	2	3	9
33	42	48	54	54	44	10	5	2	3	9
35	44	50	56	54	44	10	5	2	3	9
38	49	56	62	60	47	13	6	2	4	9
40	51	58	64	60	47	13	6	2	4	9
43	54	61	69	60	47	13	6	2	4	9
45	56	63	71	64	51	13	6	2	4	9
48	59	66	74	64	51	13	6	2	4	9
50	62	70	77	68	54	14	6	2.5	4	9
53	65	73	83	71	57	14	6	2.5	4	9
55	67	75	83	71	57	14	6	2.5	4	9
58	70	78	89	71	57	14	6	2.5	4	9
60	72	80	89	71	57	14	6	2.5	4	9
63	75	83	97	74	60	14	6	2.5	4	9
65	77	85	97	74	60	14	6	2.5	4	9
68	81	90	104	76	60	16	7	2.5	4	9
70	83	92	104	76	60	16	7	2.5	4	9
75	88	97	100	96	80	16	7	2.5	4	9
80	95	105	106	103	85	18	7	3	4	9
85	100	110	115	106	88	18	7	3	4	9
90	105	115	118	111	93	18	7	3	4	9
95	110	120	128	115	97	18	7	3	4	9
100	115	125	137	126	108	18	7	3	4	9

Outside mounted universal seal
Short mounting length
Counterpressure possible
Massive, brazed or shrinked seal rings



Operating limits:

(look at working conditions page 112)

7K	
p ≤	12 bar (16bar)
t =	-35 + 140°C (180°C)
v ≤	15 m/s
Axial movement	+0,5mm

Materials:

Rotary: E, F, G, Q, U

Stationary: A, B, Q, U

Rubber parts: P, E, V, K, M

EN 12756 (DIN 24960)

UCC UFLCL

D1	D6	D7	D3	L1	L3	L4	L6	L5	D8	L7
10	17	21	21	25	18	7	4	1.5	3	8.5
12	19	23	23	25	18	7	4	1.5	3	8.5
14	21	25	25	25	18	7	4	1.5	3	8.5
16	23	27	26	26.1	19.1	7	4	1.5	3	8.5
18	27	33	29	29.1	19.1	10	5	2	3	9
20	29	35	32	29.1	19.1	10	5	2	3	9
22	31	37	35	29.1	19.1	10	5	2	3	9
24	33	39	37	29.1	19.1	10	5	2	3	9
25	34	40	37	29.1	19.1	10	5	2	3	9
28	37	43	41	29.1	19.1	10	5	2	3	9
30	39	45	43	29.1	19.1	10	5	2	3	9
32	42	48	47	29.1	19.1	10	5	2	3	9
33	42	48	48	29.1	19.1	10	5	2	3	9
35	44	50	49	29.1	19.1	10	5	2	3	9
38	49	56	53	34.1	21.1	13	6	2	4	9
40	51	58	55	34.1	21.1	13	6	2	4	9
43	54	61	60	34.1	21.1	13	6	2	4	9
45	56	63	60	34.1	21.1	13	6	2	4	9
48	59	66	65	34.1	21.1	13	6	2	4	9
50	62	70	65	35.1	21.1	14	6	2.5	4	9
53	65	73	74	36.1	22.1	14	6	2.5	4	9
55	67	75	74	36.1	22.1	14	6	2.5	4	9
58	70	78	79	39.8	25.8	14	6	2.5	4	9
60	72	80	79	39.8	25.8	14	6	2.5	4	9
63	75	83	87	39.8	25.8	14	6	2.5	4	9
65	77	85	87	39.8	25.8	14	6	2.5	4	9
68	81	90	93	41.8	25.8	16	7	2.5	4	9
70	83	92	93	41.8	25.8	16	7	2.5	4	9
75	88	97	98	41.8	25.8	16	7	2.5	4	9
80	95	105	104	43.8	25.8	18	7	3	4	9
85	100	110	108	43.8	25.8	18	7	3	4	9
90	105	115	113	43.8	25.8	18	7	3	4	9
95	110	120	118	43.8	25.8	18	7	3	4	9
100	115	125	123	43.8	25.8	18	7	3	4	9

Outside mounted universal seal
 Short mounting length
 Counterpressure possible
 Massive, brazed or shrinked seal ring

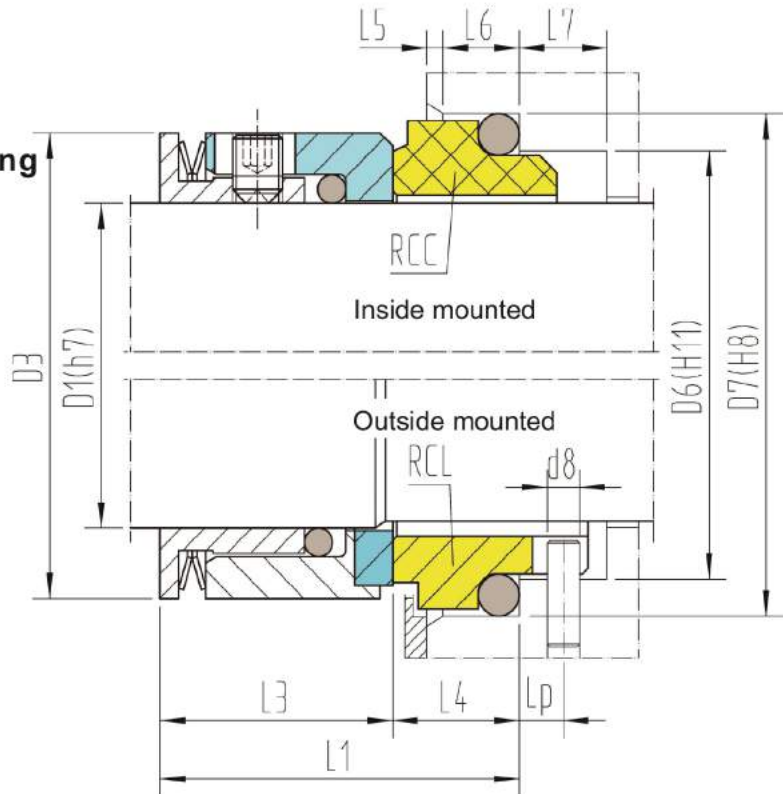


Materials:

Rotary: E, F, G, Q, U

Stationary: A, B, Q, U

Rubber parts: P, E, V, K, M



Operating limits:

(look at working conditions page 112)

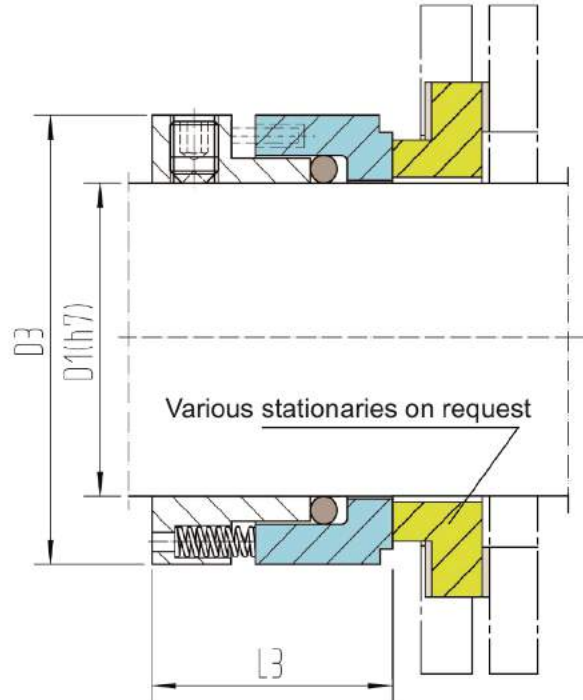
7KR	
p ≤	12 bar (16bar)
t =	-35 + 140°C (180°C)
v ≤	15 m/s
Axial movement	+0,5mm

Special fitting dimensions

RCC RCL

D1	D6	D7	D3	L1	L3	L4	L6	L5	D8	L7	Lp
10	14	18.1	21	23.5	18	5.5	2.8	1.2	2	6.2	3.5
11+12	16.5	20.6	23	23.5	18	5.5	2.8	1.2	2	6.2	3.5
13	19	23.1	25	24	18	6	2.8	1.2	2	6.7	4
14	19	23.1	25	24	18	6	2.8	1.2	2	6.7	4
15	21	26.9	26	26.1	19.1	7	3.7	1.3	2.5	7.6	4
16+17	21	26.9	29	26.1	19.1	7	3.7	1.3	2.5	7.6	4
18	25	30.9	29	27.1	19.1	8	3.7	1.3	3	8.5	4.5
19	25	30.9	32	27.1	19.1	8	3.7	1.3	3	8.5	4.5
20	25	30.9	32	27.1	19.1	8	3.7	1.3	3	8.5	4.5
21+22	30	35.4	35	27.1	19.1	8	3.7	1.8	3.5	8.5	5
23	30	35.4	37	27.1	19.1	8	3.7	1.8	3.5	8.5	5
24	30	35.4	37	27.1	19.1	8	3.7	1.8	3.5	8.5	5
25+27	33	38.2	41	27.6	19.1	8.5	3.7	1.8	4	9.1	5
28	38	43.3	41	28.1	19.1	9	3.7	1.8	4	9.6	6
29+32	38	43.3	47	28.1	19.1	9	3.7	1.8	4	9.6	6
33	45	53.5	48	30.6	19.1	11.5	5.4	2.1	5	12	7.5
35	45	53.5	49	30.6	19.1	11.5	5.4	2.1	5	12	7.5
38	52	60.5	53	32.6	21.1	11.5	5.4	2.1	5	12	7.5
40	52	60.5	55	32.6	21.1	11.5	5.4	2.1	5	12	7.5
43	52	60.5	60	32.6	21.1	11.5	5.4	2.1	5	12	7.5
44	57	65.5	60	32.6	21.1	11.5	5.4	2.1	5	13	8.5
45	57	65.5	60	32.6	21.1	11.5	5.4	2.1	5	13	8.5
48	57	65.5	65	32.6	21.1	11.5	5.4	2.1	5	13	8.5
50	64	72.5	65	32.6	21.1	11.5	5.4	2.1	5	13	8.5
55	64	72.5	74	33.6	22.1	11.5	5.4	2.1	5	13	8.5
60	72	79.3	79	37.3	25.8	11.5	5.4	2.1	5	13.5	8.5
65	77	84.5	87	37.3	25.8	11.5	5.4	2.1	5	13.5	8.5
70	82	89.5	93	37.3	25.8	11.5	5.4	2.1	5	13.5	8.5
75	87	94.5	98	37.3	25.8	11.5	5.4	2.1	5	13.5	8.5
80	92	99.5	104	37.3	25.8	11.5	5.4	2.1	5	13.5	8.5
85	98	105.5	108	39.3	25.8	13.5	5.4	2.6	5	13.5	8.5
90	105	111.5	113	39.3	25.8	13.5	5.4	2.6	5	13.5	8.5
95	110	116.5	118	39.3	25.8	13.5	5.4	2.6	5	13.5	8.5
100	114	119.5	123	39.3	25.8	13.5	5.4	2.6	5	13.5	8.5

Outside mounted seal
Counterpressure possible
Massive seal rings



Operating limits:
(look at working conditions page 112)

7K1	
$p \leq$	12 bar
$t =$	$-35 \div 140^\circ\text{C}$ (180°C)
$v \leq$	15 m/s
Axial movement	$\pm 0,2\text{mm}$

Materials:

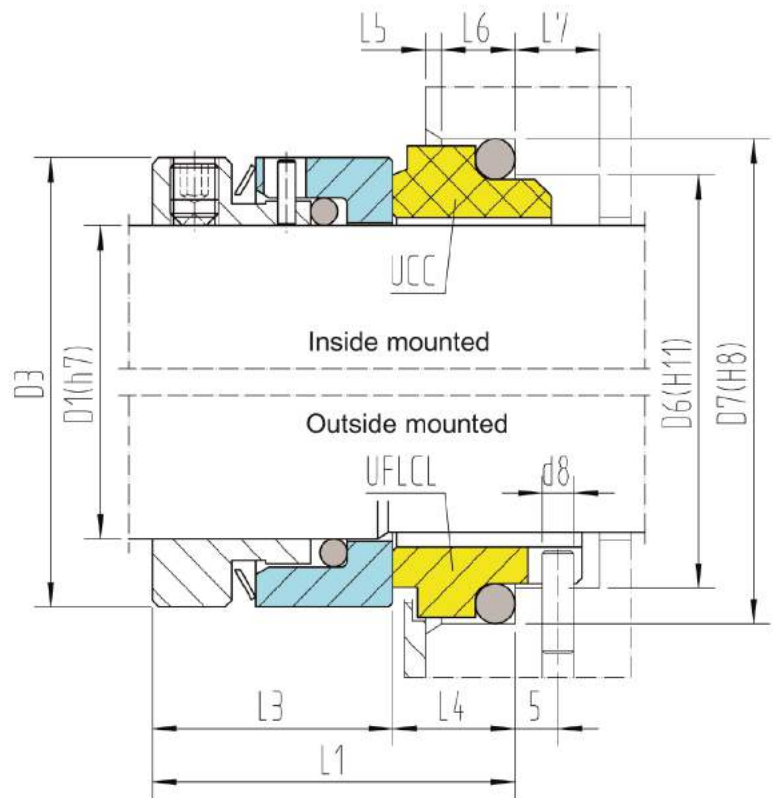
Rotary: A, B, Q, U

Stationary: on demand

Rubber parts: P, E, V, K, M

D1	D3	L3
20	40	22
22	42	22
24	44	22
25	47	24
28	50	24
30	52	24
32	54	24
33	55	24
35	57	24
38	65	29
40	67	29
42	69	29
43	70	29
45	72	29
48	75	29
50	77	29
53	80	29
55	82	29
58	85	29
60	87	29
63	90	29
65	92	29
68	95	29
70	97	29
75	102	29
80	112.5	31
85	117.5	31
90	122.5	31
95	127.5	31
100	132.5	31
105	137.5	31
110	142.5	31
115	156	55
120	161	55
125	166	55
130	171	55
140	181	55
150	191	55

Outside mounted universal seal
Short mounting length
Counterpressure possible
Massive seal rings



Materials:

Rotary: E, F, G, Q, U

Stationary: A, B, Q, U

Rubber parts: P, E, V, K, M

Operating limits:

(look at working conditions page 112)

p ≤	12 bar (16 bar)
t =	-35 ÷ 180°C
v ≤	15 m/s
Axial movement + 0,5 mm	

EN 12756 (DIN 24960)										UCC UFLCL		
D1	D6	D7	D3	L1	L3	L4	L6	L5	D8	L7		
10	17	21	21	25	18	7	4	1.5	3	8.5		
12	19	23	23	25	18	7	4	1.5	3	8.5		
14	21	25	25	25	18	7	4	1.5	3	8.5		
16	23	27	26	26.1	19.1	7	4	1.5	3	8.5		
18	27	33	29	29.1	19.1	10	5	2	3	9		
20	29	35	32	29.1	19.1	10	5	2	3	9		
22	31	37	35	29.1	19.1	10	5	2	3	9		
24	33	39	37	29.1	19.1	10	5	2	3	9		
25	34	40	37	29.1	19.1	10	5	2	3	9		
28	37	43	41	29.1	19.1	10	5	2	3	9		
30	39	45	43	29.1	19.1	10	5	2	3	9		
32	42	48	47	29.1	19.1	10	5	2	3	9		
33	42	48	48	29.1	19.1	10	5	2	3	9		
35	44	50	49	29.1	19.1	10	5	2	3	9		
38	49	56	53	34.1	21.1	13	6	2	4	9		
40	51	58	55	34.1	21.1	13	6	2	4	9		
43	54	61	60	34.1	21.1	13	6	2	4	9		
45	56	63	60	34.1	21.1	13	6	2	4	9		
48	59	66	65	34.1	21.1	13	6	2	4	9		
50	62	70	65	35.1	21.1	14	6	2.5	4	9		
53	65	73	74	36.1	22.1	14	6	2.5	4	9		
55	67	75	74	36.1	22.1	14	6	2.5	4	9		
58	70	78	79	39.8	25.8	14	6	2.5	4	9		
60	72	80	79	39.8	25.8	14	6	2.5	4	9		
63	75	83	87	39.8	25.8	14	6	2.5	4	9		
65	77	85	87	39.8	25.8	14	6	2.5	4	9		
68	81	90	93	41.8	25.8	16	7	2.5	4	9		
70	83	92	93	41.8	25.8	16	7	2.5	4	9		
75	88	97	98	41.8	25.8	16	7	2.5	4	9		
80	95	105	104	43.8	25.8	18	7	3	4	9		
85	100	110	108	43.8	25.8	18	7	3	4	9		
90	105	115	113	43.8	25.8	18	7	3	4	9		
95	110	120	118	43.8	25.8	18	7	3	4	9		
100	115	125	123	43.8	25.8	18	7	3	4	9		