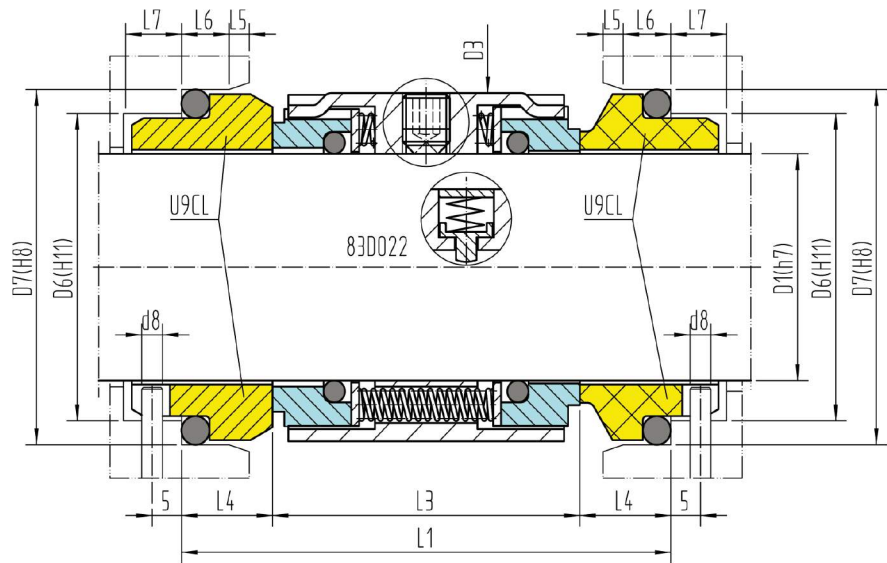


Massive replaceable seal rings
Multiple springs
Torque transmission with set screws,
or alternatively drive loaded pin
Independent of rotation



Operating limits:
 (look at working conditions page 112)

p ≤	16 bar
t =	-35 ÷ 200 °C
v ≤	15 m/s

Materials:

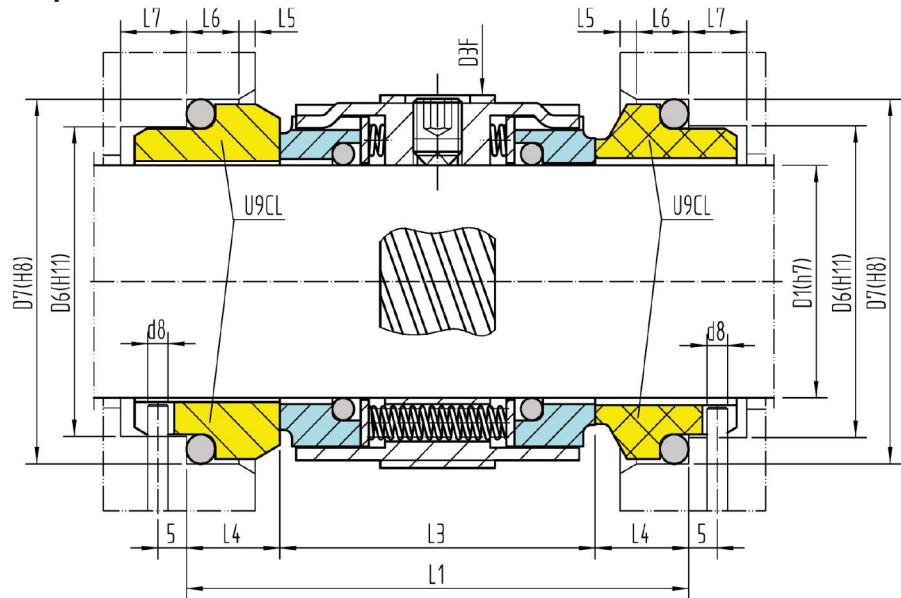
Rotary: E, F, G, Q, U
 Stationary: A, B, Q, U
 Rubber parts: P, E, V, K, M

EN 12756 (DIN 24960)

U9CL

D1	D6	D7	D3	L1	L3	L4	L6	L5	D8	L7
18	27	33	33	61	38	11.5	5	2	3	9
20	29	35	35	61	38	11.5	5	2	3	9
22	31	37	37	61	38	11.5	5	2	3	9
24	33	39	39	61	38	11.5	5	2	3	9
25	34	40	40	61	38	11.5	5	2	3	9
28	37	43	43	62	39	11.5	5	2	3	9
30	39	45	45	62	39	11.5	5	2	3	9
32	42	48	47	62	39	11.5	5	2	3	9
33	42	48	48	62	39	11.5	5	2	3	9
35	44	50	50	62	39	11.5	5	2	3	9
38	49	56	55	69	41	14	6	2	4	9
40	51	58	57	70	42	14	6	2	4	9
43	54	61	60	70	42	14	6	2	4	9
45	56	63	62	70	42	14	6	2	4	9
48	59	66	65	70	42	14	6	2	4	9
50	62	70	67	73	43	15	6	2.5	4	9
53	65	73	70	73	43	15	6	2.5	4	9
55	67	75	72	73	43	15	6	2.5	4	9
58	70	78	79	86	56	15	6	2.5	4	9
60	72	80	81	86	56	15	6	2.5	4	9
63	75	83	84	85	55	15	6	2.5	4	9
65	77	85	86	85	55	15	6	2.5	4	9
68	81	90	89	91	55	18	7	2.5	4	9
70	83	92	91	92	56	18	7	2.5	4	9
75	88	97	99	92	56	18	7	2.5	4	9
80	95	105	104	92.5	56	18.2	7	3	4	9
85	100	110	109	92.5	56	18.2	7	3	4	9
90	105	115	114	92.5	56	18.2	7	3	4	9
95	110	120	119	90.5	56	17.2	7	3	4	9
100	115	125	124	90.5	56	17.2	7	3	4	9

Massive replaceable seal rings
Multiple springs
Torque transmission with set screws,
or alternatively drive loaded pin
With pumping screw
Dependent of rotation



Materials:

Rotary: E, F, G, Q, U
 Stationary: A, B, Q, U
 Rubber parts: P, E, V, K, M

Operating limits:

(look at working conditions page 112)

p ≤	16bar
t =	-35 ÷ 200°C
v ≤	15 m/s

EN 12756 (DIN 24960)										U9CL
D1	D6	D7	D3F	L1	L3	L4	L6	L5	D8	L7
18	27	33	38	61	38	11.5	5	2	3	9
20	29	35	40	61	38	11.5	5	2	3	9
22	31	37	42	61	38	11.5	5	2	3	9
24	33	39	44	61	38	11.5	5	2	3	9
25	34	40	45	61	38	11.5	5	2	3	9
28	37	43	47	62	39	11.5	5	2	3	9
30	39	45	49	62	39	11.5	5	2	3	9
32	42	48	51	62	39	11.5	5	2	3	9
33	42	48	51	62	39	11.5	5	2	3	9
35	44	50	54	62	39	11.5	5	2	3	9
38	49	56	59	69	41	14	6	2	4	9
40	51	58	61	70	42	14	6	2	4	9
43	54	61	65	70	42	14	6	2	4	9
45	56	63	66	70	42	14	6	2	4	9
48	59	66	69	70	42	14	6	2	4	9
50	62	70	71	73	43	15	6	2.5	4	9
53	65	73	75	73	43	15	6	2.5	4	9
55	67	75	76	73	43	15	6	2.5	4	9
58	70	78	83	86	56	15	6	2.5	4	9
60	72	80	85	86	56	15	6	2.5	4	9
63	75	83	88	85	55	15	6	2.5	4	9
65	77	85	95	85	55	15	6	2.5	4	9
68	81	90	93	91	55	18	7	2.5	4	9
70	83	92	95	92	56	18	7	2.5	4	9
75	88	97	105	92	56	18	7	2.5	4	9
80	95	105	109	92.5	56	18.2	7	3	4	9
85	100	110	114	92.5	56	18.2	7	3	4	9
90	105	115	119	92.5	56	18.2	7	3	4	9
95	110	120	124	90.5	56	17.2	7	3	4	9
100	115	125	129	90.5	56	17.2	7	3	4	9