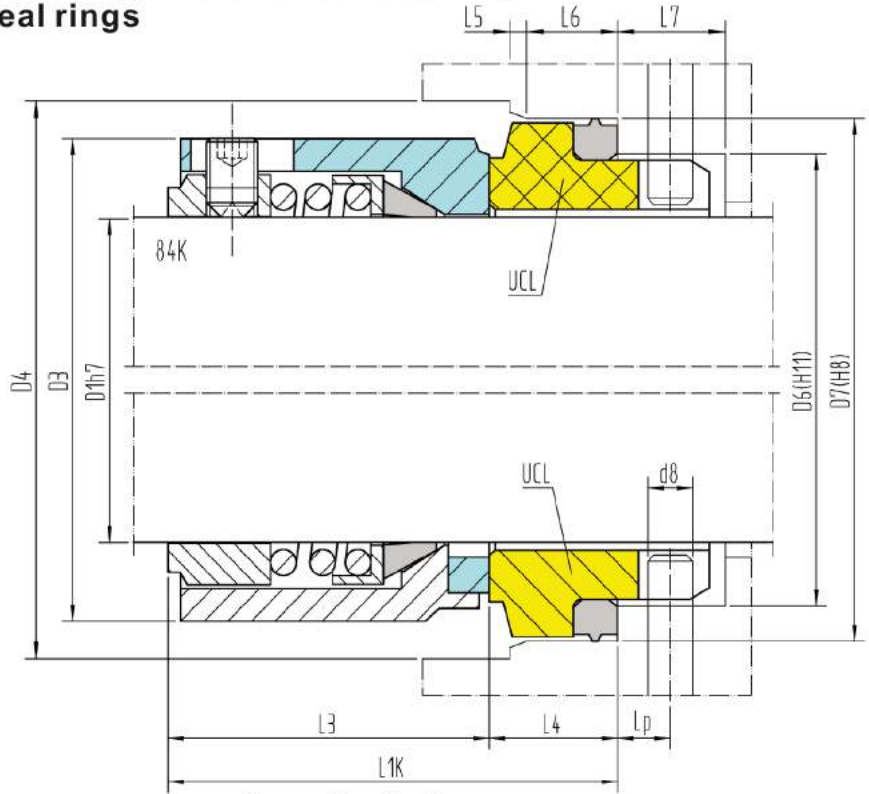


Balanced
Independent on rotation
Wedge gasket
Mechanical seals

Chemistry norm seal

Massive seal ring frame with flushing whole for selfcleaning

Massiv, brazed or shrunk seal rings



Operating limits:

(look at working conditions page 112)

84K	
p ≤	12 bar
t =	-35 + 140°C (180°C)
v ≤	15 m/s

Materials:

Rotary: G, Q, U, M
Stationary: B, Q, U
Rubber parts: T

EN 12756 (DIN 24960)

										UCC	UCL
D1	D6	D7	D3	D4	L1K	L3	L4	L6	L5	D8	L7
16	23	27	26	28	35	28	7	4	1.5	3	8.5
18	27	33	29	34	37.5	27.5	10	5	2	3	9
20	29	35	30	36	37.5	27.5	10	5	2	3	9
22	31	37	34	38	37.5	27.5	10	5	2	3	9
24	33	39	35	40	40	30	10	5	2	3	9
25	34	40	37	41	40	30	10	5	2	3	9
28	37	43	42	44	42.5	32.5	10	5	2	3	9
30	39	45	45	48+	42.5	32.5	10	5	2	3	9
32	42	48	45	48	42.5	32.5	10	5	2	3	9
33	42	48	48	54+	42.5	32.5	10	5	2	3	9
35	44	50	50	54+	42.5	32.5	10	5	2	3	9
38	49	56	54	58	45	32	13	6	2	4	9
40	51	58	56	60	45	32	13	6	2	4	9
43	54	61	60	63	45	32	13	6	2	4	9
45	56	63	64	65	45	32	13	6	2	4	9
48	59	66	67	73+	45	32	13	6	2	4	9
50	62	70	69	75+	47.5	33.5	14	6	2.5	4	9
53	65	73	74	73	47.5	33.5	14	6	2.5	4	9
55	67	75	74	80+	47.5	33.5	14	6	2.5	4	9
58	70	78	80	83	52.5	38.5	14	6	2.5	4	9
60	72	80	80	85	52.5	38.5	14	6	2.5	4	9
63	75	83	87	88	52.5	38.5	14	6	2.5	4	9
65	77	85	87	90	52.5	38.5	14	6	2.5	4	9
68	81	90	92	93	52.5	36.5	16	7	2.5	4	9
70	83	92	92	95	60	44	16	7	2.5	4	9
75	88	97	97	104	60	44	16	7	2.5	4	9
80	95	105	102	109	60	42	18	7	3	4	9
85	100	110	110	114	60	42	18	7	3	4	9
90	105	115	117	119	65	47	18	7	3	4	9
95	110	120	122	131+	65	47	18	7	3	4	9
100	115	125	127	137+	65	47	18	7	3	4	9

+ This size is larger than the minimum prescribed by EN 12756