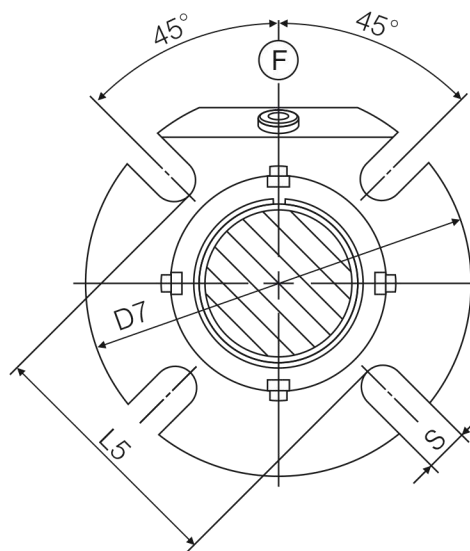
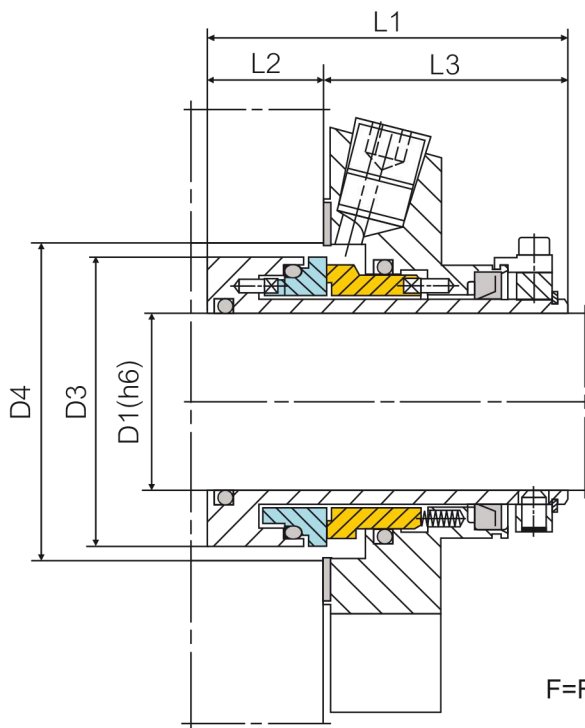
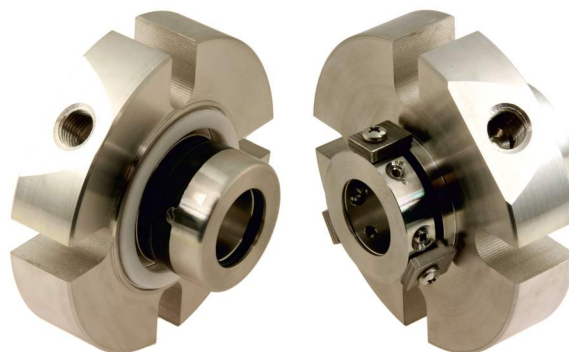


Single cartridge seal with unpressurized quench  
 With outboard lip seal  
 Balanced  
 Massive replaceable seal rings  
 Independent of rotation  
 Stationary springs



F=Flushing inlet

**Materials:**

Rotary: Q, U  
 Stationary: A, B, Q, U  
 Rubber parts: P, E, V, K, M

**Operating limits:**

(look at working conditions page 112)

|          |                              |
|----------|------------------------------|
| $p \leq$ | 25 bar                       |
| $t =$    | $-35 \div 220^\circ\text{C}$ |
| $v \leq$ | 10 m/s                       |

| D1  | D3    | D4 min | D4 max | L1   | L2   | L3   | L5  | D7  | S    |
|-----|-------|--------|--------|------|------|------|-----|-----|------|
| 25  | 43    | 44     | 51.5   | 79.5 | 26.1 | 53.4 | 62  | 105 | 13.2 |
| 28  | 46    | 47     | 52     | 79.5 | 26.1 | 53.4 | 62  | 105 | 13.2 |
| 30  | 48    | 49     | 56     | 79.5 | 26.1 | 53.4 | 65  | 110 | 13.2 |
| 32  | 49.8  | 51     | 57     | 79.5 | 26.1 | 53.4 | 67  | 110 | 13.2 |
| 33  | 49.8  | 51     | 57     | 79.5 | 26.1 | 53.4 | 67  | 113 | 13.2 |
| 35  | 53    | 54     | 61.5   | 79.5 | 26.1 | 53.4 | 70  | 123 | 13.2 |
| 38  | 56    | 57     | 66     | 79.5 | 26.1 | 53.4 | 75  | 123 | 14.2 |
| 40  | 58    | 59     | 68     | 79.5 | 26.1 | 53.4 | 75  | 133 | 14.2 |
| 42  | 60.5  | 61.5   | 69.5   | 79.5 | 26.1 | 53.4 | 80  | 133 | 14.2 |
| 43  | 60.5  | 61.5   | 70.5   | 79.5 | 26.1 | 53.4 | 80  | 138 | 14.2 |
| 45  | 62.5  | 64     | 73     | 79.5 | 26.1 | 53.4 | 81  | 138 | 14.2 |
| 48  | 65.6  | 57     | 75     | 79.5 | 26.1 | 53.4 | 84  | 148 | 14.2 |
| 50  | 68    | 59     | 78     | 79.5 | 26.1 | 53.4 | 87  | 148 | 18   |
| 53  | 72    | 73     | 87     | 79.5 | 26.1 | 53.4 | 97  | 148 | 18   |
| 55  | 73    | 74     | 83     | 79.5 | 26.1 | 53.4 | 90  | 148 | 18   |
| 60  | 78    | 79     | 91     | 79.5 | 26.1 | 53.4 | 102 | 157 | 18   |
| 65  | 84.8  | 85.7   | 98.5   | 79.5 | 26.1 | 53.4 | 109 | 163 | 18   |
| 70  | 93    | 95     | 108    | 79.5 | 26.1 | 53.4 | 118 | 178 | 18   |
| 75  | 100   | 101.6  | 118    | 98   | 34.1 | 63.9 | 129 | 190 | 18   |
| 80  | 106.4 | 108    | 124    | 98   | 34.1 | 63.9 | 135 | 195 | 18   |
| 85  | 109.5 | 111.1  | 128    | 98   | 34.1 | 63.9 | 139 | 198 | 22   |
| 90  | 115.9 | 117.5  | 135    | 98   | 34.1 | 63.9 | 145 | 205 | 22   |
| 95  | 119.1 | 120.7  | 138    | 98   | 34.1 | 63.9 | 148 | 208 | 22   |
| 100 | 125.4 | 127    | 144    | 98   | 34.1 | 63.9 | 154 | 218 | 22   |