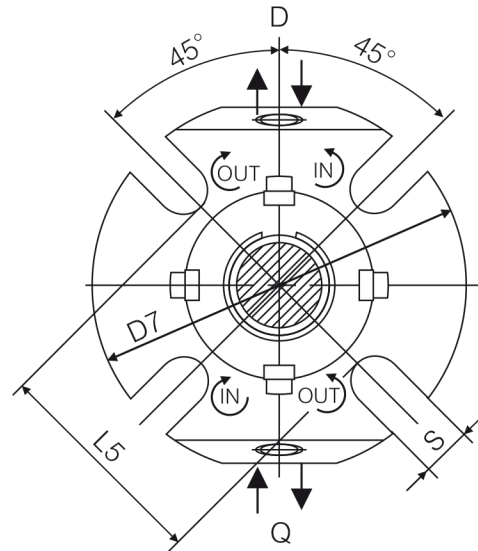
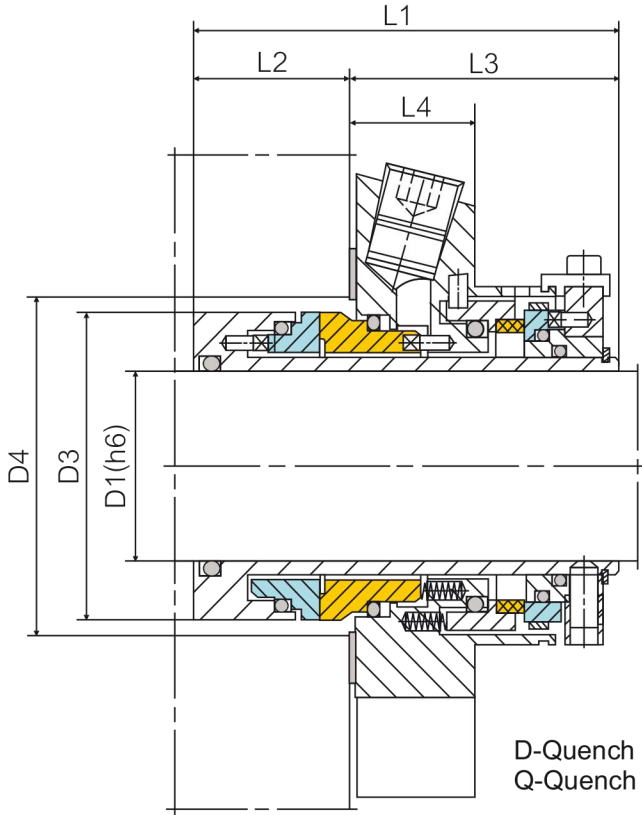


Double working seal
Balanced
Massive replaceable seal rings
Independent of rotation
Stationary springs



D-Quench / Barrier Fluid Out
 Q-Quench / Barrier Fluid IN

Materials:
 Rotary: Q, U
 Stationary: A, Q, U
 Rubber parts: P, E, V, K, M

Operating limits:
 (look at working conditions page 112)

p ≤	25 bar
t =	-35 ÷ 220 °C
v ≤	10 m/s

D1	D3	D4 min	D4 max	L1	L2	L3	L4	L5	D7	S
25	43	44	51.5	86.5	33.1	53.4	25.4	62	105	13.2
28	46	47	52	86.5	33.1	53.4	25.4	62	105	13.2
30	48	49	56	86.5	33.1	53.4	25.4	67	105	13.2
32	49.8	51	57	86.5	33.1	53.4	25.4	70	110	13.2
33	49.8	51	57	86.5	33.1	53.4	25.4	70	110	13.2
35	53	54	61.5	86.5	33.1	53.4	25.4	72	113	13.2
38	56	57	66	86.5	33.1	53.4	25.4	75	123	13.2
40	58	59	68	86.5	33.1	53.4	25.4	77	123	14.2
42	60.5	61.5	69.5	86.5	33.1	53.4	25.4	80	133	14.2
43	60.5	61.5	70.5	86.5	33.1	53.4	25.4	80	133	14.2
45	62.5	64	73	86.5	33.1	53.4	25.4	82	138	14.2
48	65.6	57	75	86.5	33.1	53.4	25.4	85	137	14.2
50	68	59	78	86.5	33.1	53.4	25.4	87	148	14.2
53	72	73	87	86.5	33.1	53.4	25.4	97	148	18
55	73	74	83	86.5	33.1	53.4	25.4	92	148	18
60	78	79	91	86.5	33.1	53.4	25.4	102	157	18
65	84.8	85.7	98.5	86.5	33.1	53.4	25.4	109	163	18
70	93	95	108	86.5	33.1	53.4	25.4	118	178	18
75	100	101.6	118	108	44.1	63.9	28	129	190	18
80	106.4	108	124	108	44.1	63.9	28	135	195	18
85	109.5	111.1	128	108	44.1	63.9	28	139	198	22
90	115.9	117.5	135	108	44.1	63.9	28	145	205	22
95	119.1	120.7	138	108	44.1	63.9	28	148	208	22
100	125.4	127	144	108	44.1	63.9	28	154	218	22