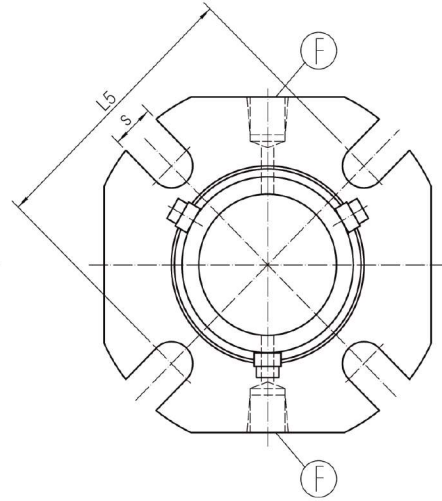
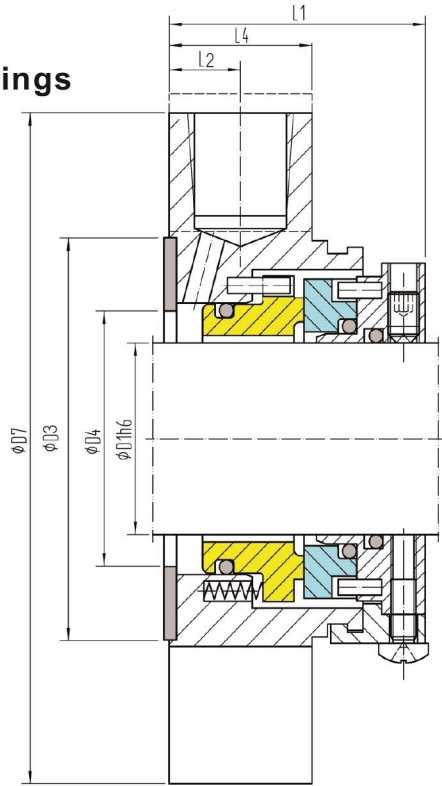


- Shorter simple working seal
- Balanced
- Multiple springs
- Massive replaceable seal rings
- Independent of rotation
- Flushing inlet standard



F=Flushing inlet

Materials:

Rotary: Q, U
 Stationary: A, B, Q, U
 Rubber parts: P, E, V, K, M

Operating limits:

(look at working conditions page 112)

p ≤	16 bar
t =	-20 ÷ 160°C
v ≤	10 m/s

D1	D3	D4 min	D4 max	L1	L2	L4	L5	D7	S
20	58	30	51	42	12	23	60	104	12
24	58	34	51	42	12	23	60	104	12
25	58	35	51	42	12	23	60	104	12
28	63	38	54	42	12	23	65	108	12
30	63	40	56	42	12	23	65	108	12
32	63	42	56	42	12	23	65	108	12
33	73	43	66	42	12	23	75	118	14
35	73	45	66	42	12	23	75	118	14
38	73	48	66	42	12	23	75	118	14
40	73	50	66	42	12	23	75	118	14
43	78	53	71	42	12	23	80	128	14
45	78	55	71	42	12	23	80	128	14
48	88	58	81	44	12	23	90	138	14
50	88	60	81	44	12	23	90	138	14
53	88	63	81	44	12	23	90	138	14
55	88	65	81	44	12	23	90	138	14
58	103	68	96	46	12	23	105	164	18
60	103	70	96	46	12	23	105	164	18
63	103	73	96	46	12	23	105	164	18
65	103	75	96	46	12	23	105	164	18
70	109	80	102	46	12	23	111	178	18
75	121	85	114	49	12	23	123	193	18
80	121	90	114	49	12	23	123	193	18
85	131	95	124	49	12	23	133	208	20
90	131	100	124	49	12	23	133	208	20
95	141	105	134	49	12	23	143	218	20
100	141	110	134	49	12	23	143	218	20