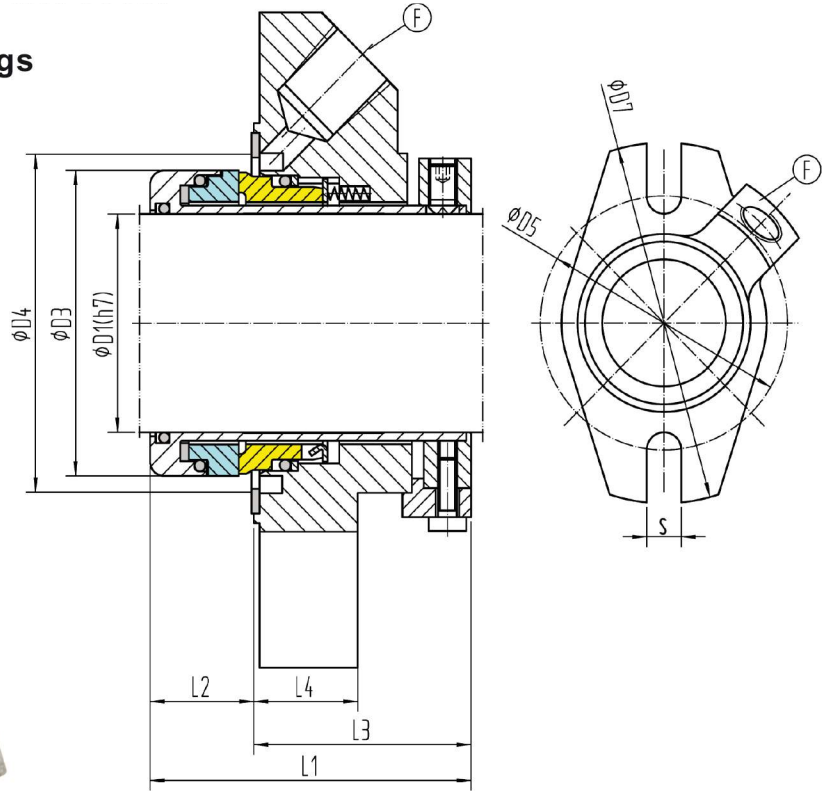
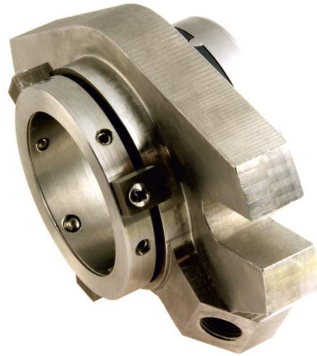
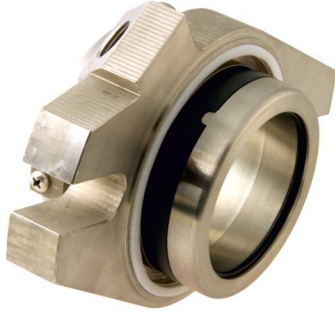


- Simple working seal with smaller cover
- Balanced
- Massive replaceable seal rings
- Independent of rotation
- Stationary springs
- Flushing inlet standard



F=Flushing inlet

**Materials:**

- Rotary: Q, U
- Stationary: A, B, Q, U
- Rubber parts: P, E, V, K, M

**Operating limits:**

(look at working conditions page 112)

$p \leq$	25 bar
$t =$	-35 + 220 °C
$v \leq$	20 m/s

D1	D3	D4 min	D4 max	L1	L2	L3	L4	D5	D7	S
24	43	44	52	68	22	46	21.5	76	104	13
25	43	44	52	68	22	46	21.5	76	104	13
28	46	47	55	68	22	46	21.5	76	104	13
30	48	49	57	68	22	46	21.5	80	110	13
32	51	52	60	68	22	46	21.5	80	110	13
33	51	52	60	68	22	46	21.5	80	110	13
35	53	54	62	68	22	46	21.5	89	128	13
38	58	59	67	68	22	46	21.5	89	128	13
40	58	59	67	68	22	46	21.5	89	128	13
42	63	64	72	68	22	46	21.5	100	142	14
43	63	64	72	68	22	46	21.5	100	142	14
45	63	64	72	68	22	46	21.5	100	142	14
48	66	69	77	68	22	46	21.5	106	154	17
50	68	70	77	68	22	46	21.5	106	154	17
53	73	75	82	68	22	46	21.5	106	154	17
55	73	75	82	68	22	46	21.5	120	172	17
58	78	80	87	68	22	46	21.5	120	172	17
60	78	80	87	68	22	46	21.5	120	172	17
-	78	80	87	68	22	46	21.5	120	172	17
63	87	90	97	70	24	46	26.5	134	180	17
65	87	90	97	70	24	46	26.5	134	180	17
68	92	95	102	70	24	46	26.5	134	180	17
70	92	95	102	70	24	46	26.5	134	180	17
-	100	105	116	83	24	46	26.5	148	200	19
75	100	105	116	83	24	46	26.5	148	200	19
-	105	110	123	83	24	46	26.5	148	200	19
80	105	110	123	83	24	46	26.5	148	200	19