



A strong link of your system

CARTRIDGE MECHANICAL SEALS SERIES "C"

Fluiten cartridge seals are designed with flexibility in mind, to suit a large number of applications.

This optimisation, reduces the need to carry extensive spare parts, normally associated with multiple variations in seal usage.

The choice of materials, and the careful attention to detail for every solution, are the reason behind the great success of the Fluiten 'C' type cartridge range. This range is now being use with confidence, and complete satisfaction, by major manufacturers of pumps and mixers.

This catalog shows the second generation of this range of cartridges with the last improvements according to the current security requirements of european community

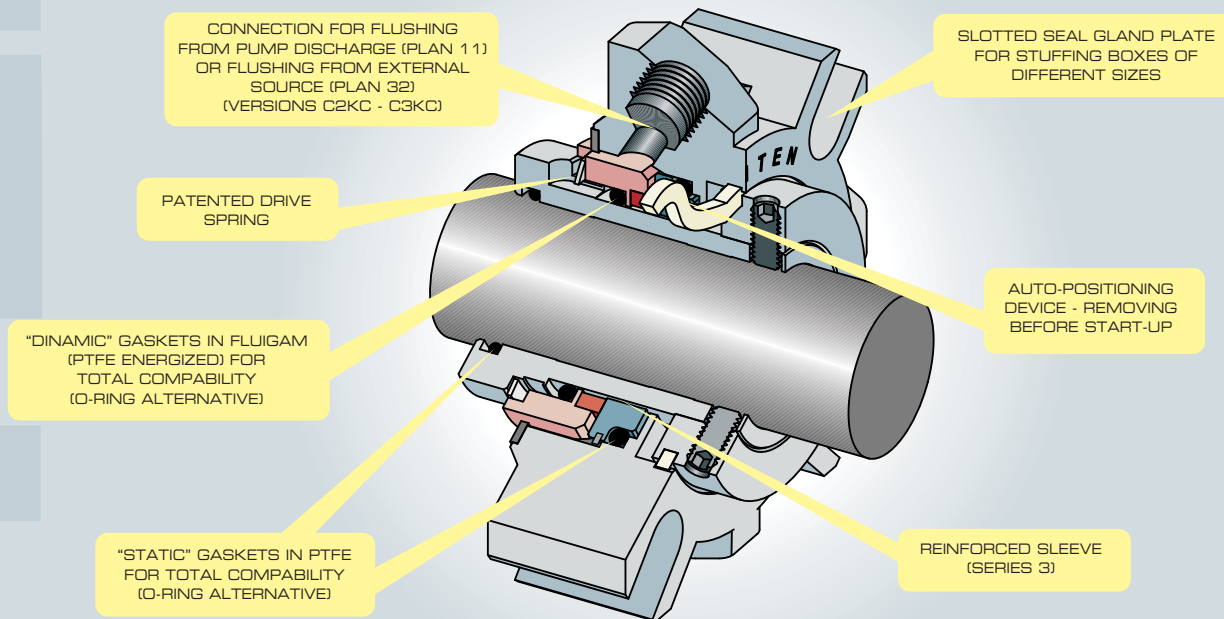


- Single Seals C2K/C2KC/C2S
- Single Seals with throttle bushing C2SQ/C2DQ
- Double Seals C2D
- Seals with reinforced sleeve series "3"
- Dry-running seals C4D/C4DQ



SINGLE SEALS CHARACTERISTICS

C2K/C2KC/C3K/C3KC



MATERIALS:

STATIONARY SEAT:

Silicon carbide

ROTARY FACE:

AISI 316+graphite

AISI 316+silicon carbide

GASKETS:

EPDM / FKM / PTFE (Fluigam)

Perfluoroelastomers (if request)

SPRING:

Superinox

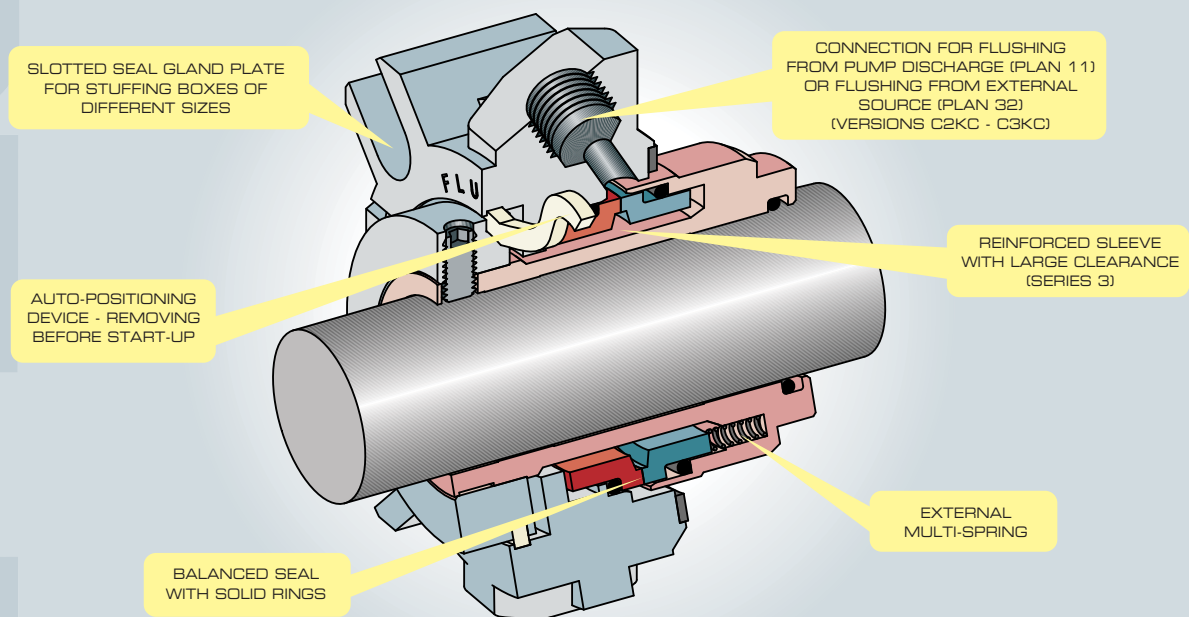
OTHER METAL PARTS:

AISI 316

2

FLUITEN

C2S/C3S (C2SQ/C3SQ with throttle bushing for quench)



MATERIALS:

STATIONARY SEAT:

Graphite

Silicon carbide

Tungsten carbide

ROTARY FACE:

Silicon carbide

Tungsten carbide

GASKETS:

EPDM / FKM

Perfluoroelastomers

THROTTLE BUSHING (C2SQ-C3SQ):

Bronze

SPRINGS:

AISI 316

Hastelloy (if request)

OTHER METAL PARTS:

AISI 316

Hastelloy (if request)

MAIN CHARACTERISTICS



BI-DIRECTIONAL
Can be installed on clockwise or anti-clockwise rotating shafts.



PRICE
Engineered to reduce production costs without compromising its quality level.



RESISTANT TO ACIDS & BASES
The seal is resistant to products that are moderately chemically aggressive.



UNIVERSAL
Geometry and materials maximize its application range.



NO CATASTROPHIC FAILURES
The absence of a bellows guarantees that, in case of failure, there is no total fluid leakage.



SELF-CLEANING
The seal eliminates by centrifugal force possible particle sedimentations.



SELF-POSITIONING
Auto-positioning device removing before start-up.



LOW TURBULENCE HEAT GENERATIONS
Its internal geometry reduces the amount of heat generated by turbulences.



STOCK REDUCTION
Optimized material for stock reduction.



ROBUST
The seal includes 2 robust clutch pins resistant to vibrations, cavitations and mechanical stress.



CARTRIDGE
Seal complete of flange and shaft sleeve to guarantee reliable and easy installation.



LOW EMISSIONS
The geometry of the rings has been studied to avoid deformations and guarantee contact effectiveness.

APPLICATIONS

INDUSTRY



CHEMICAL INDUSTRY



PHARMACEUTICAL FIELD



FOOD INDUSTRY



PAPER FIELD



WATER TREATMENT

MACHINES



CENTRIFUGAL PUMPS



SIDE ENTRY MIXERS



BOTTOM ENTRY MIXERS



TOP ENTRY MIXERS

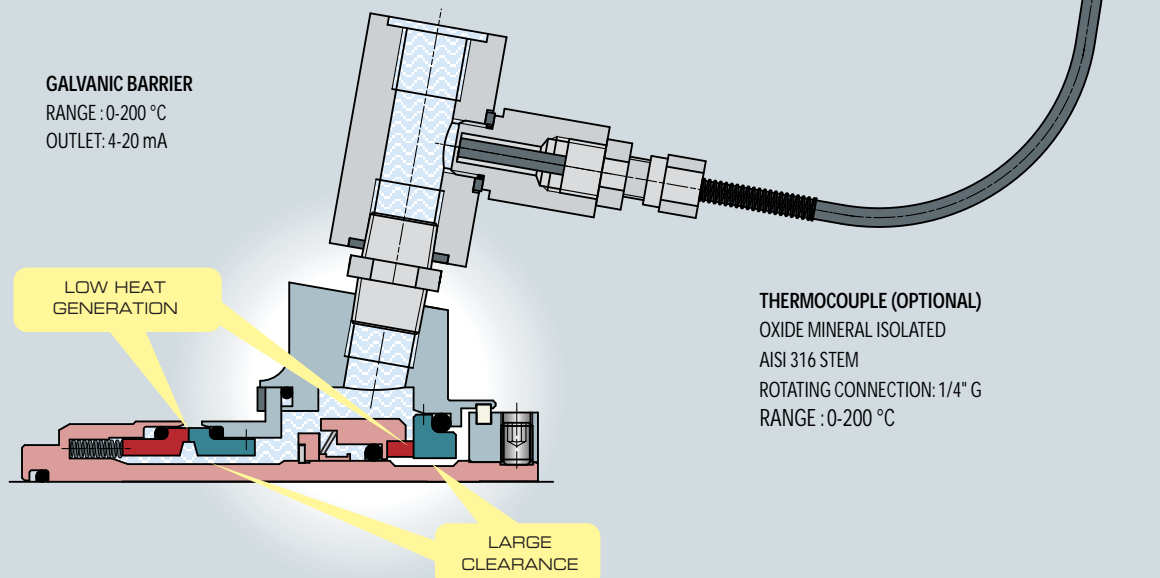


VERTICAL PUMPS

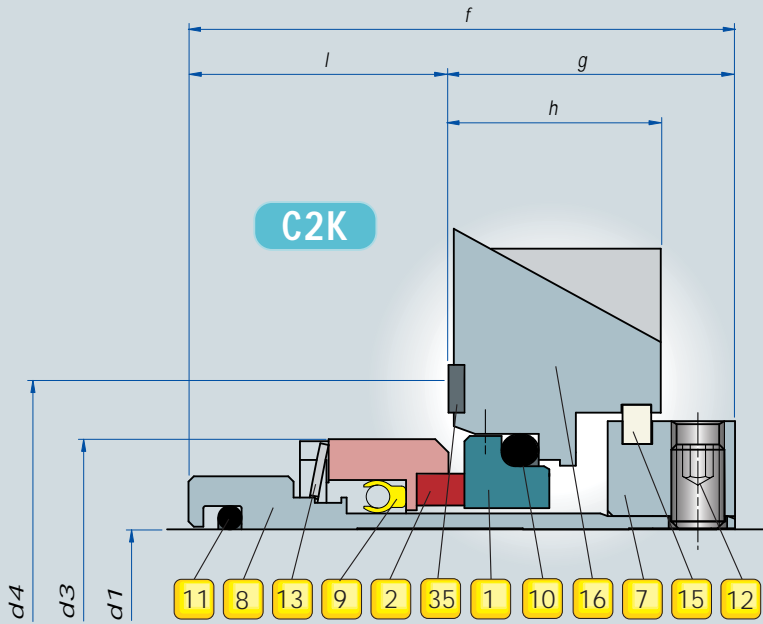
ATEX COMPLIANCE

The Cartridges FLUITEN seals range are certified according the ATEX directive 94/9/CE (TÜV) which has defined the European requirements for equipment installed in critical potential explosive areas.

A declaration of conformity and a specific instruction manual can be supplied on demand. This documentation complete the equipment certification required for the duty validation. For high risk applications Fluiten can provide double mechanical seals lubricated and monitored by a thermocouple which has the probe located inside the stationary rings or in contact with the barrier fluid to have direct temperature relief.



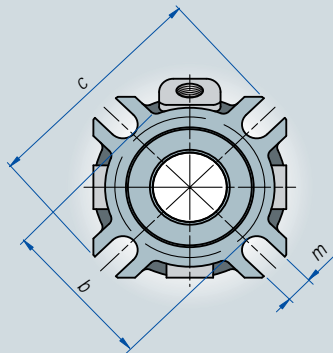
SEALS DIMENSIONS C2K - C2KC



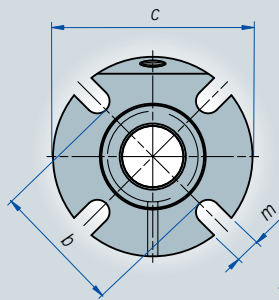
C2K

SEAL ELEMENTS:

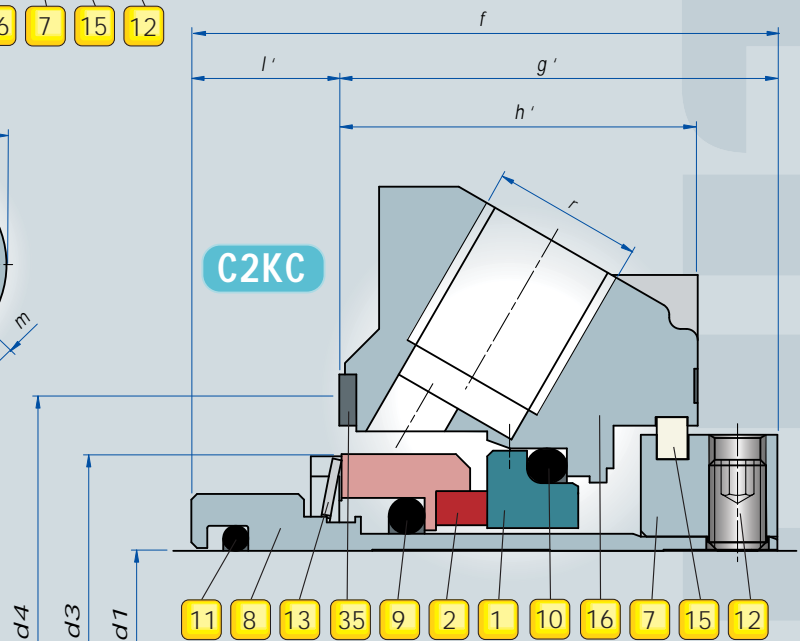
- | | |
|----------------------------------|-------------------------------|
| 1 STATIONARY SEAT | 11 SHAFT SLEEVE GASKET |
| 2 ROTARY FACE | 12 SET SCREWS |
| 7 DRIVE COLLAR | 13 SPRING |
| 8 SHAFT SLEEVE | 15 POSITIONING DEVICE |
| 9 ROTARY FACE GASKET | 16 FLANGE |
| 10 STATIONARY SEAT GASKET | 35 FLANGE GASKET |



C2K e C2KC with shaft diameter ≤ 50 mm



C2K e C2KC with shaft diameter > 50 mm



C2KC

CHARACTERISTICS:

C2K
Single cartridge seal, recommended for low duty service.
PLAN 01 or PLAN 02 (see pag. 11)

C2KC
Single cartridge seal with connection for flushing,
recommended for low duty service.
PLAN 11 or PLAN 32 (see pag. 11)

OPERATING LIMITS: (*)

DIAMETER (mm)	SPEED (m/sec)	PRESSURE (bar)	TEMPERATURE (°C)
100	12	12	+200
25	0	0	-50

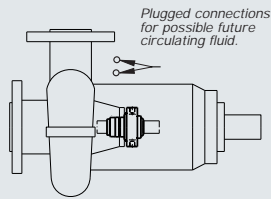
(*) Pressure limitations depend upon a pressure-velocity relationship based on size, speed, face materials and fluid. Contact our Technical-Commercial office for technical specifics.

Seal Diam.	d1	d3	d4		b	c	f	g	g'	h	h'	l	l'	m	r
			min	max											
25	25	42	44	53	63	98	51.5	27	38.5	20	31.5	24.5	13	12	Rp 1/4"
28	28	45	47	53	63	98	51.5	27	38.5	20	31.5	24.5	13	12	Rp 1/4"
30	30	47	49	55	65	98	51.5	27	38.5	20	31.5	24.5	13	12	Rp 1/4"
33	33	54	56	60	68	106	55	28	39.5	20	31.5	27	15.5	12	Rp 1/4"
35	35	54	56	60	68	106	55	28	39.5	20	31.5	27	15.5	12	Rp 1/4"
38	38	57	59	68	76	120	56	29	39.5	21	31.5	27	16.5	14	Rp 1/4"
40	40	59	61	68	76	120	56	29	39.5	21	31.5	27	16.5	14	Rp 1/4"
43	43	62	64	73	81	135	56	29	39.5	21	31.5	27	16.5	14	Rp 1/4"
45	45	64	66	73	81	135	56	29	39.5	21	31.5	27	16.5	14	Rp 1/4"
48	48	67	69	79	87	148	56	29	39.5	21	31.5	27	16.5	14	Rp 1/4"
50	50	69	71	79	87	148	59	29.5	39.5	21.5	31.5	29.5	19.5	14	Rp 1/4"
55	55	78	80	84	95	148	60.5	30.5	40	22	31.5	30	20.5	18	Rp 3/8"
60	60	83	85	92	102	158	60.5	30.5	40	22	31.5	30	20.5	18	Rp 3/8"
65	65	88	90	102	112	163	60.5	30.5	40	22	31.5	30	20.5	18	Rp 3/8"
70	70	99	101	112	125	178	64.5	31.5	40	23	31.5	33	24.5	18	Rp 3/8"
75	75	104	106	117	130	185	64.5	31.5	40	23	31.5	33	24.5	18	Rp 3/8"
80	80	109	111	122	135	193	70	36	45.5	25.5	35	34	24.5	18	Rp 3/8"
85	85	114	116	126	140	198	70	36	45.5	25.5	35	34	24.5	22	Rp 3/8"
90	90	119	121	134	145	205	70	36	45.5	25.5	35	34	24.5	22	Rp 3/8"
95	95	124	126	139	150	208	70	36	45.5	25.5	35	34	24.5	22	Rp 3/8"
100	100	129	131	144	155	218	70	36	45.5	25.5	35	34	24.5	22	Rp 3/8"

Dimensions subject to modifications without notice.

API PLANS APPLICABLE

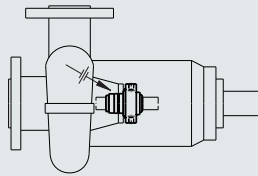
FOR HORIZONTAL CENTRIFUGAL PUMPS:



PLAN 02

Dead-ended seal chamber with no circulation of flushed fluid.

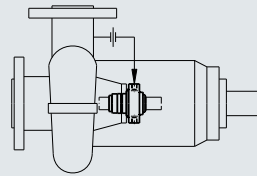
C2D0 - C3D0
With PLAN 62



PLAN 01

Internal recirculation from pump discharge to seal.

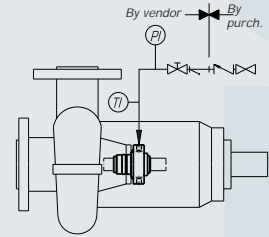
C2K - C3K



PLAN 11

Recirculation from pump case through orifice to seal.

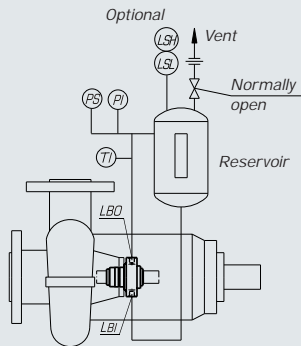
C2KC - C3KC
C2S - C3S



PLAN 32

Injection to seal from external source of clean fluid.

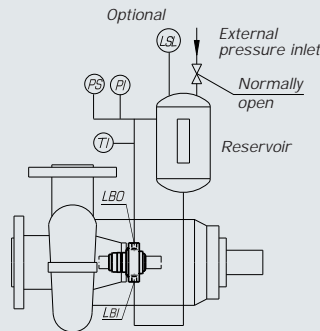
C2KC - C3KC
C2S - C3S



PLAN 52

Un-pressurized external fluid reservoir with forced circulation; (typically used with tandem seal arrangement)

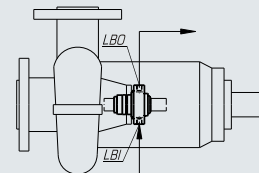
C2D - C3D



PLAN 53

Pressurized external fluid reservoir with forced circulation; (typically used with double seal arrangement)

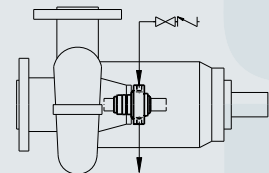
C2D - C3D



PLAN 54

Circulation of clean fluid from external system; (typically used with double seal arrangement)

C2D - C3D

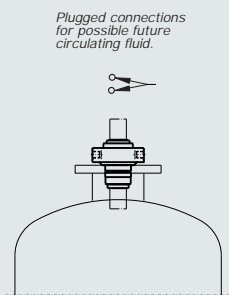


PLAN 62

External fluid quench (steam, gas, water, etc.) typically used with whit throttle bushing or auxiliary sealing device.

C2S0 - C3S0
C2D0 - C3D0

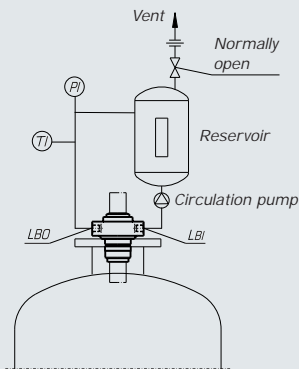
FOR TOP ENTRY MIXERS:



PLAN 02

Dead-ended seal chamber with no circulation of flushed fluid.

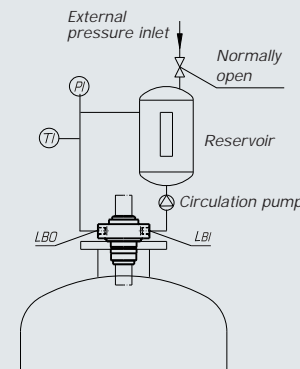
C4D - C4D0
With PLAN 62



PLAN 52

Un-pressurized external fluid reservoir with forced circulation; (typically used with tandem seal arrangement)

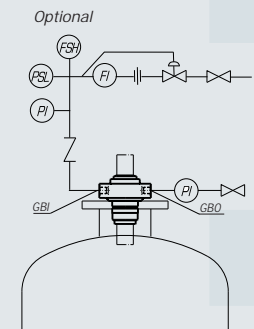
C3D



PLAN 53

Pressurized external fluid reservoir with forced circulation; (typically used with double seal arrangement)

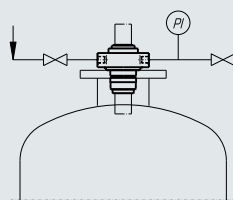
C3D



PLAN 74

Pressurized gas barrier regulated from control panel; (typically used with dry-running double seal arrangement)

C4D



PLAN 62

External fluid quench (steam, gas, water, etc.) typically used with whit throttle bushing or auxiliary sealing device.

C3D0 - C4D0

API PLAN LEGEND

- (PI) Pressure indicator
- (TI) Temperature indicator
- (PS) Pressure switch
- (PSL) Low pressure alarm
- (LSH) High level alarm
- (LSL) Low level alarm
- (FSH) High flow alarm

LBI Flushing inlet/pressurization

LBO Flushing outlet/pressurization

GBI Barrier gas inlet

GBO Barrier gas outlet

Strainer

Flow-regulation valve

Block valve

Check valve

Orifice

SERVICE SOLUTIONS

The Fluiten service department, independent from the production process, offer a fast, flexible and high quality assistance for any necessity.

During the repair process are also considered up grading evaluation to make the seals compliant to the recent environmental rules and using the present superior material technology.

High experienced technicians operates according the quality manual which define the level of repair to the initial manufacturing tolerances and performances.



Customer and After sales service for assistance and technical support tel. +39 02 339403.1 or contact us by info@fluiten.it or www.fluiten.it

Distributed by:



A strong link of your system

FLUITEN ITALIA SpA

20016 Pero (Milano) Italy • Via L. Da Vinci, 14 • Telefono +39 02. 339403.1 Fax +39 02. 3538641
www.fluiten.it E-mail: info@fluiten.it