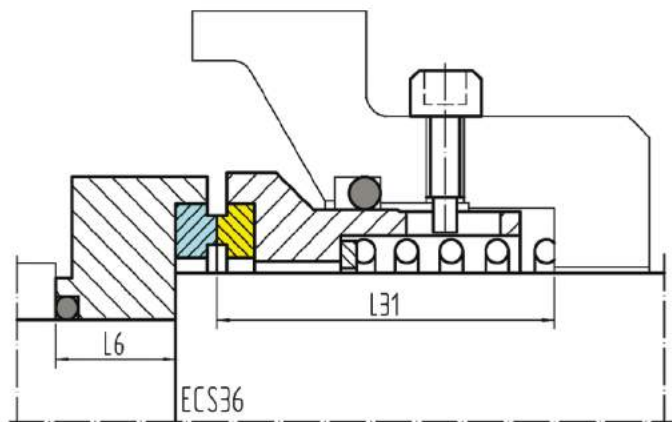
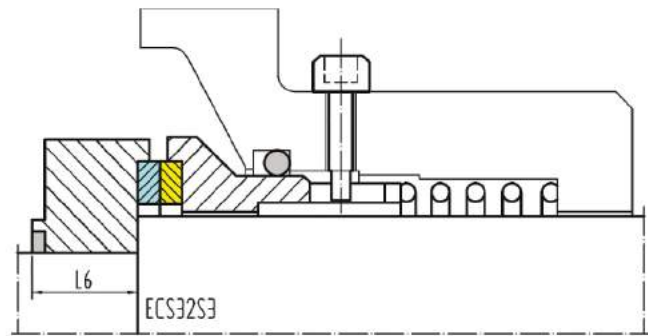
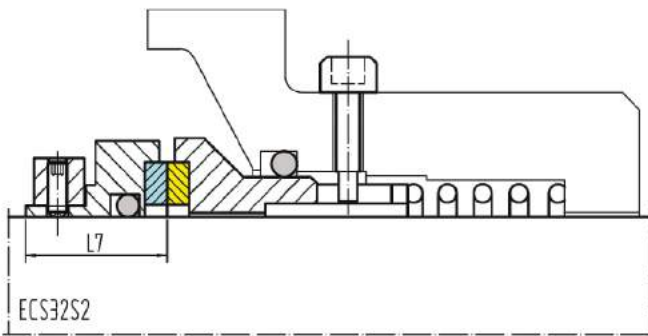
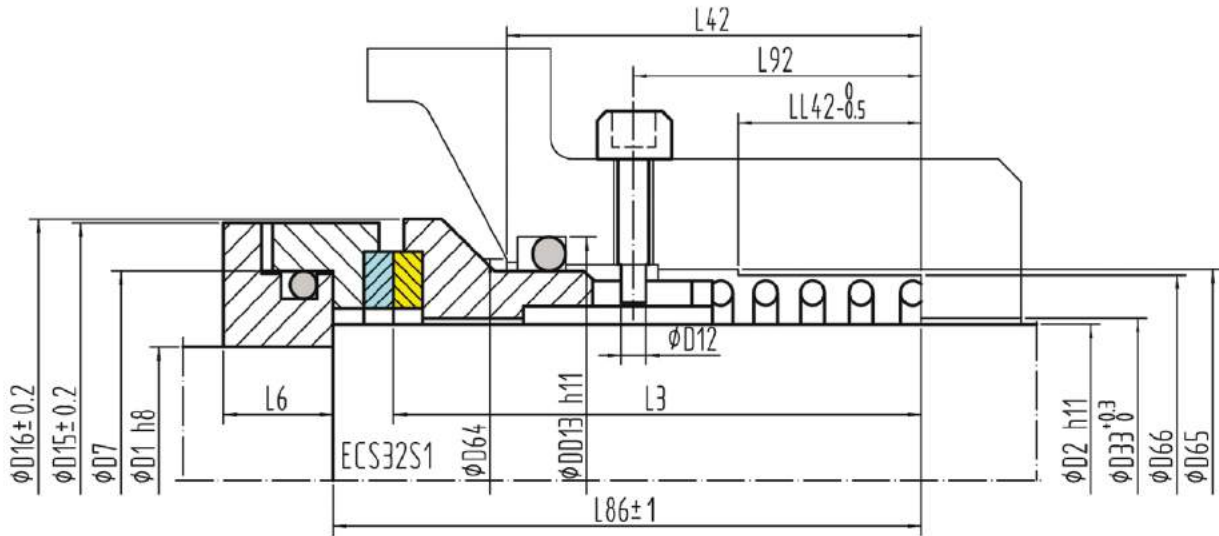


Robust solid-seal
Spring, product protected
Spring stationary





Materials:

Rotary: Q, U

Stationary: Q, U

Rubber parts: P, E, V, K, M

Operating limits:

(look at working conditions page 112)

p ≤	25 bar
t =	-35 + 140°C
v ≤	15 m/s

Special fitting dimensions

D1	D2	D7	D12	D15	D16	D33	D64	D65	D66	DD13	L3	L31	L6	L7	L42	L86	L92	LL42
15	20	29.3	3	40	42	21.0	32	30.4	30.0	36.2	51.5	39.5	10	24.5	36.8	56.0	22.8	14
20	25	34.3	3	46	48	26.0	37	35.4	34.0	41.2	54.0	41.5	10	24.5	39.3	58.5	25.3	14
25	30	39.0	3	51	53	31.0	43	40.4	40.0	49.2	55.5	41.0	12	26.5	40.8	60.0	24.8	13
30	35	44.0	3	56	58	36.0	48	45.4	45.0	54.2	58.0	45.5	12	28.0	41.8	64.0	25.8	15
35	40	54.0	3	66	68	41.0	58	55.6	54.0	64.2	68.0	45.5	15	31.0	51.3	74.0	34.3	20
40	45	59.0	3	71	73	46.0	63	60.6	59.0	69.2	69.0	47.0	15	31.0	52.3	75.0	35.3	23
45	50	64.0	4	77	78	51.0	68	65.6	64.0	74.2	74.5	47.0	15	31.5	57.3	81.0	39.7	26
50	55	69.0	4	83	83	56.0	73	70.6	69.0	79.2	76.5	49.0	15	31.5	59.3	83.0	41.7	29
55	60	74.0	4	88	88	61.0	78	75.6	74.0	84.2	78.5	54.0	15	33.5	61.3	85.0	43.7	29
57	65	79.0	4	93	93	66.0	83	80.6	79.0	89.2	77.0	51.5	16	33.5	57.8	83.5	39.2	25
62	70	84.0	4	98	98	71.0	88	85.8	84.0	94.2	80.5	54.5	16	34.0	60.8	87.5	42.2	27
67	75	89.0	4	103	103	76.0	93	90.8	89.0	99.2	88.5	59.0	16	34.0	68.8	95.5	50.2	37
72	80	94.0	4	108	108	81.0	98	95.8	94.0	104.2	90.5	69.5	18	34.0	70.8	97.5	52.2	37
75	85	104.0	4	118	118	86.5	108	105.8	103.0	114.2	91.0	73.0	20	37.0	70.8	98.0	50.2	34
80	90	109.0	5	127	127	91.5	113	110.8	109.0	119.2	102.5	70.0	23	44.0	77.3	113.5	56.0	40
85	95	114.1	5	135	140	96.5	119	115.8	113.0	127.3	105.0	80.0	26	48.0	74.3	116.0	51.0	35
90	100	119.1	5	140	145	101.5	124	120.8	120.0	132.3	115.0	85.0	27	48.0	84.3	126.0	61.0	45
95	105	124.1	5	145	150	106.5	129	125.8	125.0	137.3	116.0	83.0	32	48.0	82.0	127.0	58.0	42
100	110	134.1	5	155	160	111.5	139	135.8	130.0	147.3	115.0	90.0	32	48.0	79.0	126.0	54.5	33
105	115	139.1	5	163	170	116.5	144	140.8	136.5	152.3	124.0	90.0	35	53.5	85.0	137.0	61.0	43
110	120	144.1	5	168	175	121.5	149	145.8	143.5	157.3	117.0	92.0	35	53.5	77.0	130.0	53.0	35
115	125	149.1	5	173	180	126.5	154	150.8	147.5	162.3	118.0	-	35	53.5	79.0	131.0	55.0	35
120	130	154.1	5	178	185	131.5	159	155.8	154.5	167.3	125.0	-	35	53.5	85.0	138.0	61.0	44