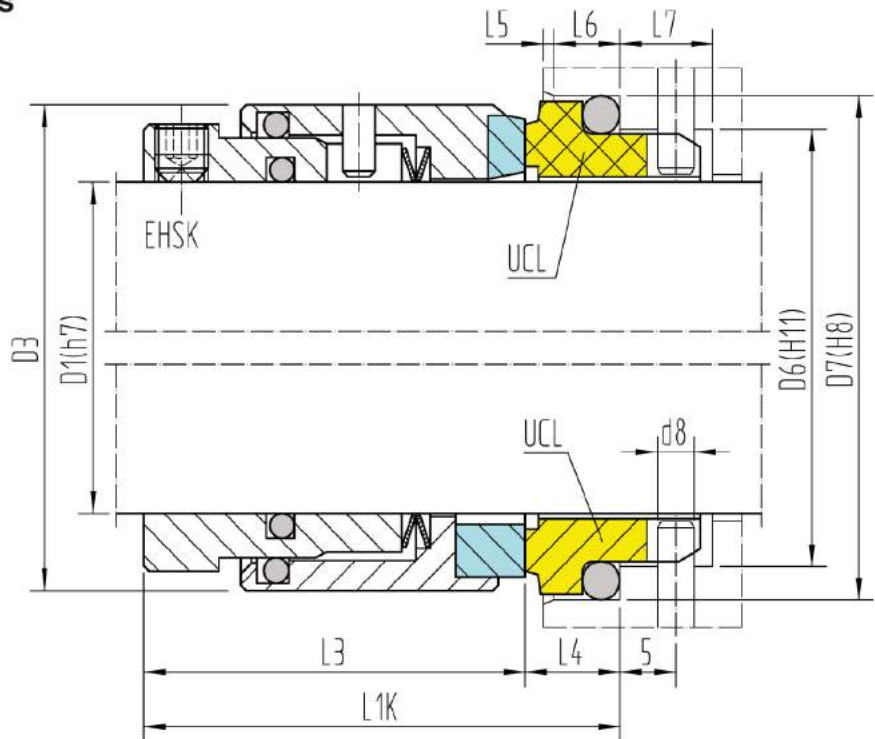


Universal high-pressure seal for plain shafts
Super-sinus spring, product protected
Shrunk or brazed seal rings
Food industry



Operating limits:
 (look at working conditions page 112)

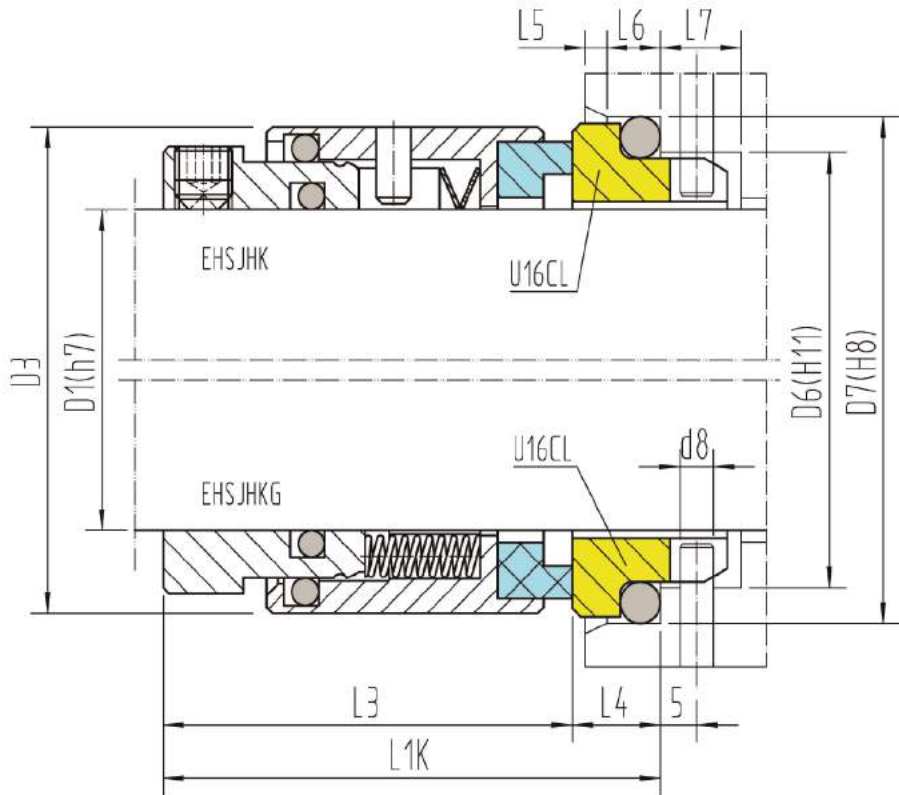
EHSK	
p ≤	25 bar
t =	-35 + 140°C (220°C)
v ≤	15 m/s

Materials:

- Rotary: Q, U
- Stationary: A, B, Q, U
- Rubber parts: P, E, V, K, M

EN 12756 (DIN 24960)										UCL	
D1	D6	D7	D3	L1K	L3	L4	L6	L5	D8	L7	
14	21	25	26	35	28	7	4	1.5	3	8.5	
16	23	27	31	35	28	7	4	1.5	3	8.5	
18	27	33	36	37.5	27.5	10	5	2	3	9	
20	29	35	38	37.5	27.5	10	5	2	3	9	
22	31	37	39	37.5	27.5	10	5	2	3	9	
24	33	39	40	40	30	10	5	2	3	9	
25	34	40	40	40	30	10	5	2	3	9	
28	37	43	44	42.5	32.5	10	5	2	3	9	
30	39	45	44	42.5	32.5	10	5	2	3	9	
32	42	48	47	42.5	32.5	10	5	2	3	9	
33	42	48	48	42.5	32.5	10	5	2	3	9	
35	44	50	50	42.5	32.5	10	5	2	3	9	
38	49	56	55	45	32	13	6	2	4	9	
40	51	58	58	45	32	13	6	2	4	9	
43	54	61	62	45	32	13	6	2	4	9	
45	56	63	64	45	32	13	6	2	4	9	
48	59	66	67	45	32	13	6	2	4	9	
50	62	70	70	47.5	33.5	14	6	2.5	4	9	
53	65	73	74	47.5	33.5	14	6	2.5	4	9	
55	67	75	78	47.5	33.5	14	6	2.5	4	9	
58	70	78	80	52.5	38.5	14	6	2.5	4	9	
60	72	80	82	52.5	38.5	14	6	2.5	4	9	
63	75	83	87	52.5	38.5	14	6	2.5	4	9	
65	77	85	89	52.5	38.5	14	6	2.5	4	9	
68	81	90	92	52.5	36.5	16	7	2.5	4	9	
70	83	92	94	60	44	16	7	2.5	4	9	
75	88	97	103	60	44	16	7	2.5	4	9	
80	95	105	108	60	42	18	7	3	4	9	
85	100	110	113	60	42	18	7	3	4	9	
90	105	115	118	65	47	18	7	3	4	9	
95	110	120	123	65	47	18	7	3	4	9	
100	115	125	128	65	47	18	7	3	4	9	

Universal high-pressure seal for plain shafts
 Super-sinus spring, product protected or multiple springs
 Shrunk seal rings
 Food industry



Operating limits:

(look at working conditions page 112)

$p \leq$	25 bar
$t =$	$-35 \div 140^\circ\text{C}$
$v \leq$	15 m/s

Materials:

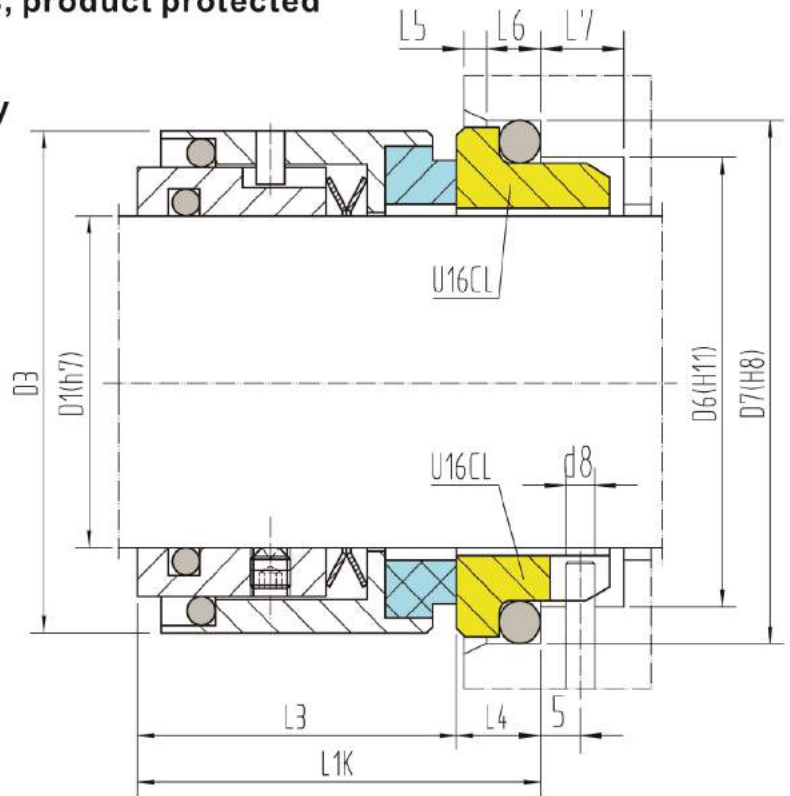
Rotary: A, B, Q, U

Stationary: Q, U

Rubber parts: P, E, V, K, M

EN 12756 (DIN 24960)										U16CL		
D1	D6	D7	D3	L1K	L3	L4	L6	L5	D8	L7		
14	21	25	25	35	29.5	5.5	4	1.5	3	8.5		
16	23	27	26	35	29.5	5.5	4	1.5	3	8.5		
18	27	33	32	37.5	30.5	7	5	2	3	9		
20	29	35	34	37.5	30.5	7	5	2	3	9		
22	31	37	36	37.5	30.5	7	5	2	3	9		
24	33	39	38	40	33	7	5	2	3	9		
25	34	40	39	40	33	7	5	2	3	9		
28	37	43	42	42.5	35.5	7	5	2	3	9		
30	39	45	44	42.5	35.5	7	5	2	3	9		
32	42	48	47	42.5	35.5	7	5	2	3	9		
33	42	48	47	42.5	35.5	7	5	2	3	9		
35	44	50	49	42.5	35.5	7	5	2	3	9		
38	49	56	54	45	37	8	6	2	4	9		
40	51	58	56	45	37	8	6	2	4	9		
43	54	61	59	45	37	8	6	2	4	9		
45	56	63	61	45	37	8	6	2	4	9		
48	59	66	64	45	37	8	6	2	4	9		
50	62	70	66	47.5	38	9.5	6	2.5	4	9		
53	65	73	69	47.5	38	9.5	6	2.5	4	9		
55	67	75	71	47.5	38	9.5	6	2.5	4	9		
58	70	78	78	52.5	42	10.5	6	2.5	4	9		
60	72	80	80	52.5	42	10.5	6	2.5	4	9		
63	75	83	83	52.5	42	10.5	6	2.5	4	9		
65	77	85	85	52.5	42	10.5	6	2.5	4	9		
68	81	90	88	52.5	41.5	11.5	7	2.5	4	9		
70	83	92	90	60	48.5	11.5	7	2.5	4	9		
75	88	97	99	60	48.5	11.5	7	2.5	4	9		
80	95	105	104	60	48.5	11.5	7	3	4	9		
85	100	110	109	60	48.5	11.5	7	3	4	9		
90	105	115	114	65	52	13	7	3	4	9		
95	110	120	119	65	52	13	7	3	4	9		
100	115	125	124	65	52	13	7	3	4	9		

Universal high-pressure seal for plain shafts
Super-sinus spring and set screws, product protected
Shrunk seal rings
Sterile applications
Food- and pharmaceutical industry



Customized special designs are possible !

Materials:

Rotary: B, Q, U

Stationary: Q, U

Rubber parts: P, E, V, K, M

Operating limits:

(look at working conditions page 112)

p ≤	25 bar
t =	-35 + 140°C
v ≤	15 m/s

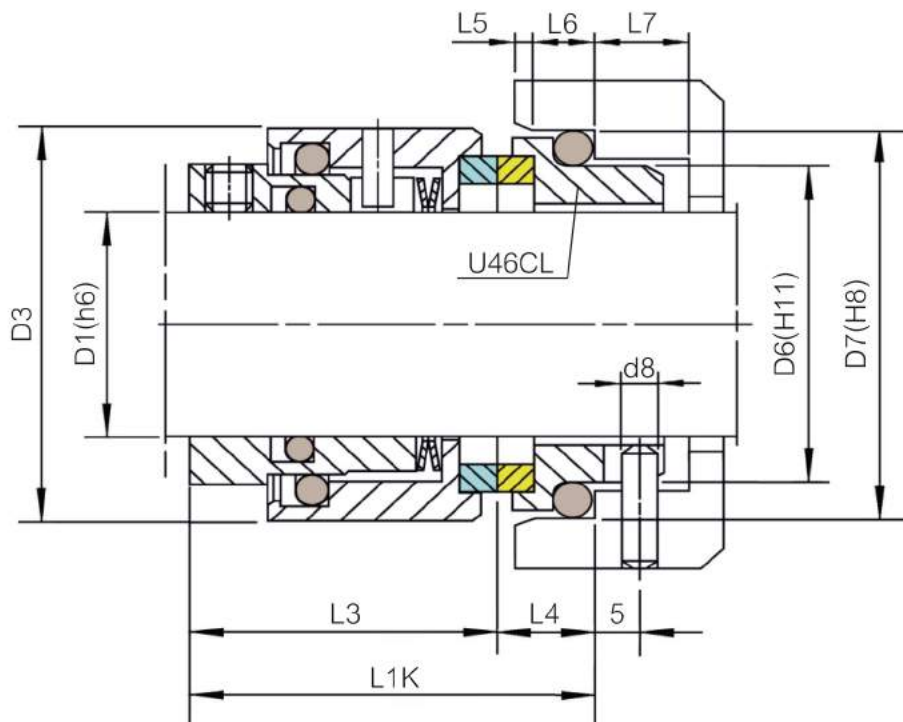
EN 12756 (DIN 24960)

U16CL

D1	D6	D7	D3	L1K	L3	L4	L6	L5	D8	L7
14	21	25	25	35	29.5	5.5	4	1.5	3	8.5
16	23	27	30	35	29.5	5.5	4	1.5	3	8.5
18	27	33	32	37.5	30.5	7	5	2	3	9
20	29	35	34	37.5	30.5	7	5	2	3	9
22	31	37	36	37.5	30.5	7	5	2	3	9
24	33	39	38	40	33	7	5	2	3	9
25	34	40	39	40	33	7	5	2	3	9
28	37	43	42	42.5	35.5	7	5	2	3	9
30	39	45	44	42.5	35.5	7	5	2	3	9
32	42	48	47	42.5	35.5	7	5	2	3	9
33	42	48	47	42.5	35.5	7	5	2	3	9
35	44	50	49	42.5	35.5	7	5	2	3	9
38	49	56	54	45	37	8	6	2	4	9
40	51	58	56	45	37	8	6	2	4	9
43	54	61	59	45	37	8	6	2	4	9
45	56	63	61	45	37	8	6	2	4	9
48	59	66	64	45	37	8	6	2	4	9
50	62	70	66	47.5	38	9.5	6	2.5	4	9
53	65	73	69	47.5	38	9.5	6	2.5	4	9
55	67	75	71	47.5	38	9.5	6	2.5	4	9
58	70	78	78	52.5	42	10.5	6	2.5	4	9
60	72	80	80	52.5	42	10.5	6	2.5	4	9
63	75	83	83	52.5	42	10.5	6	2.5	4	9
65	77	85	85	52.5	42	10.5	6	2.5	4	9
68	81	90	-	52.5	41.5	11.5	7	2.5	4	9
70	83	92	90	60	48.5	11.5	7	2.5	4	9
75	88	97	99	60	48.5	11.5	7	2.5	4	9
80	95	105	104	60	48.5	11.5	7	3	4	9
85	100	110	109	60	48.5	11.5	7	3	4	9
90	105	115	114	65	52	13	7	3	4	9
95	110	120	119	65	52	13	7	3	4	9
100	115	125	124	65	52	13	7	3	4	9

EHSJHK2

Universal high-pressure seal for plain shafts
 Super-sinus spring, product protected
 Shrinked seal rings
 For special sticky, fibrous and solid-containing medias
 Sewage, paint and pulp industries



Materials:
 Rotary: Q, U
 Stationary: Q, U
 Rubber parts: P, E, V, K, M

Operating limits:
 (look at working conditions page 112)

$p \leq$	25 bar
$t =$	$-35 + 140^\circ\text{C}$
$v \leq$	15 m/s

EN 12756 (DIN 24960)

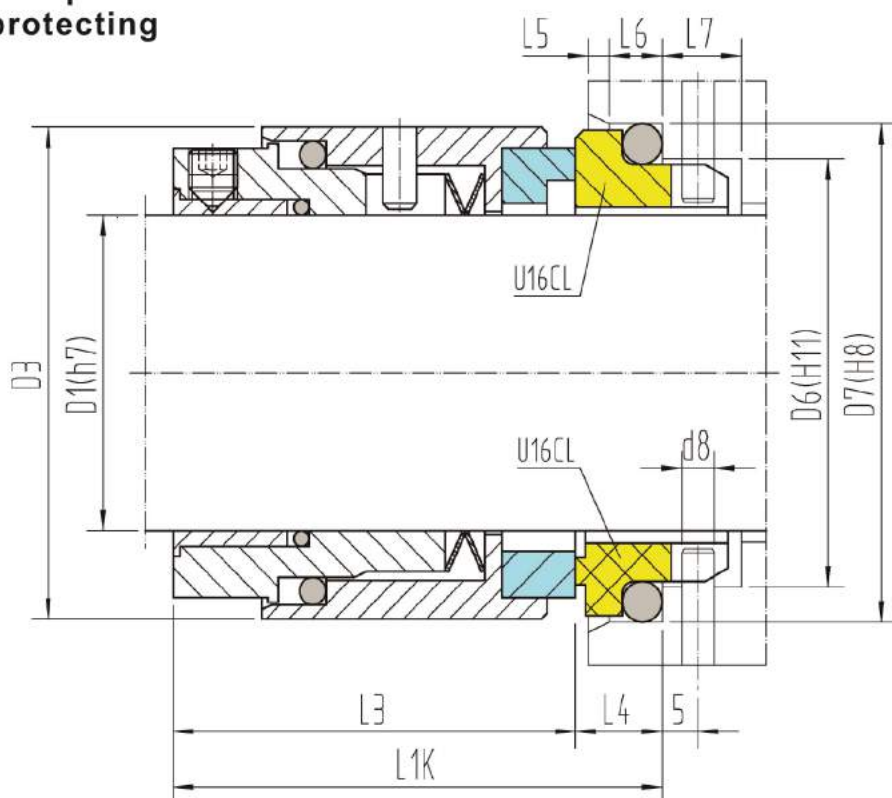
U46CL

D1	D6	D7	D3	L1K	L3	L4	L6	L5	D8	L7
18	27	33	32	37.5	28.5	9	5	2	3	9
20	29	35	34	37.5	28.5	9	5	2	3	9
22	31	37	36	37.5	28.5	9	5	2	3	9
24	33	39	38	40	31	9	5	2	3	9
25	34	40	39	40	31	9	5	2	3	9
28	37	43	42	42.5	33	9.5	5	2	3	9
30	39	45	44	42.5	33	9.5	5	2	3	9
32	42	48	47	42.5	33	9.5	5	2	3	9
33	42	48	47	42.5	33	9.5	5	2	3	9
35	44	50	49	42.5	33	9.5	5	2	3	9
38	49	56	54	45	34.5	10.5	6	2	4	9
40	51	58	56	45	34.5	10.5	6	2	4	9
43	54	61	59	45	34.5	10.5	6	2	4	9
45	56	63	61	45	34.5	10.5	6	2	4	9
48	59	66	64	45	34.5	10.5	6	2	4	9
50	62	70	66	47.5	35.5	12	6	2.5	4	9
53	65	73	69	47.5	35.5	12	6	2.5	4	9
55	67	75	71	47.5	35.5	12	6	2.5	4	9
58	70	78	78	52.5	39.5	13	6	2.5	4	9
60	72	80	80	52.5	39.5	13	6	2.5	4	9
63	75	83	83	52.5	39.5	13	6	2.5	4	9
65	77	85	85	52.5	39.5	13	6	2.5	4	9
68	81	90	88	52.5	39	13.5	7	2.5	4	9
70	83	92	90	60	46	14	7	2.5	4	9
75	88	97	99	60	46	14	7	2.5	4	9
80	95	105	104	60	46	14	7	3	4	9
85	100	110	109	60	46	14	7	3	4	9
90	105	115	114	65	49.5	15.5	7	3	4	9
95	110	120	119	65	49.5	15.5	7	3	4	9
100	115	125	124	65	49.5	15.5	7	3	4	9

Balanced
Independent on rotation

O-Ring
Mechanical seals

Universal high-pressure seal for plain shafts
 Super-sinus spring product protected
 Clamping sleeve, shaft protecting
 Shrinked seal rings



Materials:

Rotary: A, B, Q, U
 Stationary: Q, U
 Rubber parts: P, E, V, K, M

Operating limits:

(look at working conditions page 112)

$p \leq$	25 bar
$t =$	$-35 \div 140^\circ\text{C}$
$v \leq$	15 m/s

EN 12756 (DIN 24960)										U16CL
D1	D6	D7	D3	L1K	L3	L4	L6	L5	D8	L7
14	21	25	24	38*	32.5	5.5	4	1.5	3	8.5
16	23	27	26	40*	34.5	5.5	4	1.5	3	8.5
18	27	33	32	37.5	30.5	7	5	2	3	9
20	29	35	34	37.5	30.5	7	5	2	3	9
24	33	39	38	40	33	7	5	2	3	9
25	34	40	39	40	33	7	5	2	3	9
28	37	43	42	42.5	35.5	7	5	2	3	9
30	39	45	44	42.5	35.5	7	5	2	3	9
32	42	48	47	42.5	35.5	7	5	2	3	9
33	42	48	47	42.5	35.5	7	5	2	3	9
35	44	50	49	42.5	35.5	7	5	2	3	9
38	49	56	54	45	37	8	6	2	4	9
40	51	58	56	45	37	8	6	2	4	9
43	54	61	59	45	37	8	6	2	4	9
44	56	63	61	45	37	8	6	2	4	9
50	62	70	66	47.5	38	9.5	6	2.5	4	9
53	65	73	68.5	47.5	38	9.5	6	2.5	4	9
60	72	80	80	52.5	42	10.5	6	2.5	4	9
65	77	85	85	52.5	42	10.5	6	2.5	4	9
70	83	92	90	60	48.5	11.5	7	2.5	4	9
75	88	97	99	60	48.5	11.5	7	2.5	4	9
80	95	105	104	60	48.5	11.5	7	3	4	9
95	110	120	119	65	52	13	7	3	4	9
100	115	125	124	65	52	13	7	3	4	9

*not according to EN 12756