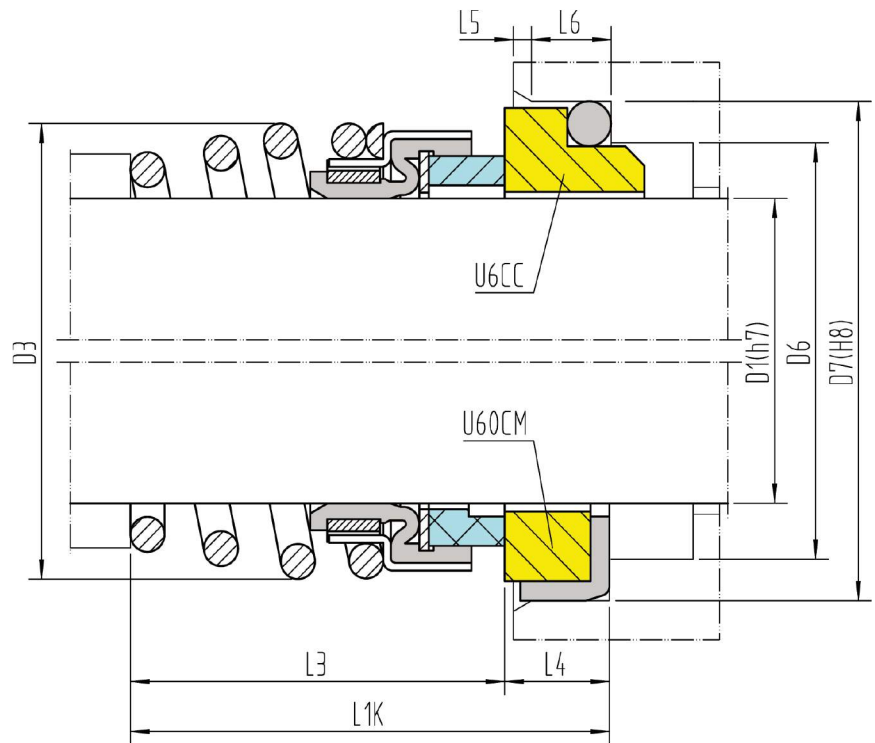


Simple single seal
 Conical spring rotating
 Shaft protecting
 Easy mounting
 Independent of rotation



Operating limits:
 (look at working conditions page 112)

p ≤	12 bar
t =	-20 ÷ 120 °C
v ≤	10 m/s

Materials:
 Rotary: A, B, Q, U
 Stationary: Q, U, V
 Rubber parts: P, E, V

EN 12756 (DIN 24960)

U6CC U60CM

D1	D6	D7	D3	L1K	L3	L4	L6	L5
10	17	21	19.6	32.5	825.9	6.6	4	1.5
12	19	23	21.6	32.5	25.9	6.6	4	1.5
14	21	25	24	35	28.4	6.6	4	1.5
16	23	27	26.5	35	28.4	6.6	4	1.5
18	27	33	29	37.5	30	7.5	5	2
20	29	35	31.5	37.5	30	7.5	5	2
22	31	37	33	37.5	30	7.5	5	2
24	33	39	37	40	32.5	7.5	5	2
25	34	40	38	40	32.5	7.5	5	2
28	37	43	41	42.5	35	7.5	5	2
30	39	45	43	42.5	35	7.5	5	2
32	42	48	45	42.5	35	7.5	5	2
33	42	48	46	42.5	35	7.5	5	2
35	44	50	48	42.5	35	7.5	5	2
38	49	56	52.5	45	36	9	6	2
40	51	58	55.5	45	36	9	6	2
43	54	61	58.5	45	36	9	6	2
45	56	63	60.5	45	36	9	6	2
48	59	66	64	45	36	9	6	2
50	62	70	66	47.5	38	9.5	6	2.5
53	65	73	69	47.5	36.5	11	6	2.5
55	67	75	71	47.5	36.5	11	6	2.5
58	70	78	76	52.5	41.5	11	6	2.5
60	72	80	78	52.5	41.5	11	6	2.5
63	75	83	82	52.5	41.5	11	6	2.5
65	77	85	84	52.5	41.5	11	6	2.5
68	81	90	87	52.5	41.2	11.3	7	2.5
70	83	92	89	60	48.7	11.3	7	2.5
75	88	97	95	60	48.7	11.3	7	2.5
80	95	105	101.5	60	48	12	7	3
85	100	110	108	60	46	14	7	3
90	105	115	111.5	65	46	14	7	3
95	110	120	118	65	46	14	7	3
100	115	125	122.5	65	46	14	7	3